

Super Quiet Generators

Distributed By:



www.onesourcerental.com



SUPER QUIET GENERATORS
T70

Specifications

System Power Output	T70C	T70P
Prime 3 phase power	60 kW / 76 kVA	59 kW / 74 kVA
Standby 3 phase power	73 kW / 92 kVA	65 kW / 81 kVA
Available 3 phase voltage	208 / 220 / 240 / 440 / 480	208 / 220 / 240 / 440 / 480
Associated 3 phase amps (0.8 power factor)	211 / 199 / 183 / 100 / 91	205 / 194 / 178 / 97 / 89
Prime 1 phase power	42 kW / 42 kVA	
Available 1 phase voltage	120 / 240	
Associated 1 phase Amps (1.0 power factor)	350 / 175	
Max Amp rating (main breaker size)	225 A	

Engine

Manufacturer, model	Cummins, QSB5-G1 NR3	Perkins, 1104D-E44TG1
Horsepower - Prime (1800 rpm)	91 hp (68 kWm)	78 hp (58 kWm)
Description	Tier III, 4 cyl., 4-cycle, water cooled, OHV, in-line, direct injection	
Aspiration	Turbocharged and Charge Air Cooled	Turbocharged
Bore & stroke	4.21 x 4.88 in (107 x 124 mm)	4.13 x 5.00 in (105 x 127 mm)
Piston displacement	275 in ³ (4.5 L)	269 in ³ (4.41 L)
Compression ratio	17.3 : 1	18.2 : 1
Exhaust system	Critical grade silencer	
Monitoring gauges	Oil pressure, water temperature, fuel level, battery voltage, hours	
Coolant capacity (engine only)	9.6 qts (9.0 L)	7.4 qts (7.0 L)
Cooling system	Liquid Cooled - Rated to 105° F Ambient	

Super Quiet Generator T70C/T70P

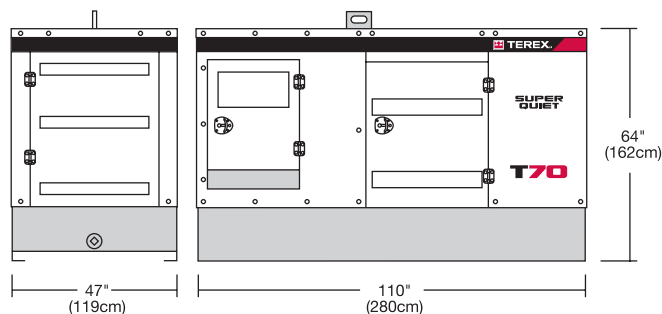
Specifications

Fuel System	T70C	T70P
Fuel specification	#2 diesel	
Filter	Fuel/water separator	
Capacity	160 gal (606 L)	
Tank and containment	Internal fuel tank with 110% fluid spill containment	
Consumption and run time	- Full Load	5.6 gal/hr (21.0 L/hr) 28 hr
	- ¾ Load	4.5 gal/hr (17.0 L/hr) 35 hr
	- Half Load	3.0 gal/hr (11.0 L/hr) 53 hr
		4.4 gal/hr (16.6 L/hr) 36 hr
		3.4 gal/hr (12.8 L/hr) 47 hr
		2.4 gal/hr (9.0 L/hr) 67 hr

System Controls and Distribution	
Electronic governor	Electronic (+/- 0.5%)
Protection (safety shutdowns)	Low oil pressure, high water temperature, overcrank, overspeed, underspeed
Generator gauges	Voltmeter, ammeter, Hz meter (dial-type on Perkins models)
Receptacles, 120 V	2 Each 20 Amp GFCI Duplex
Receptacles, 240 V	3 Each 50 Amp Tempower T/L
Primary distribution	5 lug terminals with mainline circuit breaker

Packaging	
Enclosure	Sound attenuated, weatherproof with lockable doors
Sound levels	66 dBA at 23 ft (7 m)
Lifting system	Roof-mounted, single point
Weight (no trailer)	
- empty	5,390 lb (2,445 kg)
- full	6,782 lb (3,076 kg)
Dimensions - L x W x H (no trailer)	110 x 47 x 64 in (279 x 119 x 162 cm)
Weight (with trailer)	
- empty	6,887 lb (3,124 kg)
- full	8,279 lb (3,755 kg)
Dimensions - L x W x H (with trailer)	171 x 75 x 82 in (434 x 190 x 208 cm)

Generator	
Rating (0.8 power factor)	60 kW 3 phase @ 480/240V
Description	Brushless, 4 Pole, synchronous, single bearing
Insulation	Class H
Temperature rating	125° C rise over 40° C ambient
Automatic voltage regulator	External, solid state, adjustable
Voltage regulation	+/- 1%
Frequency (speed)	60 Hz (1800 rpm)



Options and Accessories

Trailer Options
Trailer hitch, 2 in ball
Trailer taillight connector, 4 pole flat
Spare tire (mounts on A frame)
LED trailer lights
Trailer hitch, 2 5/16 in ball (12,000 lb rated)
Trailer leveling jacks (2, rear corner mounted)
Center-mounted jack

Power & Productivity Options
Battery disconnect switch
Trickle battery charger (with male receptacle in control panel)
3.5A battery charger with monitoring
Block heater
Tank coolant heater with panel receptacle
Cam lock distribution panel, standard lug panel

Lighted control panel
Low coolant shutdown
Load balance monitoring - phase selector switch
External fuel connection (T70P only)
1000 CCA Battery (T70P only)
Automatic air shutdown (T70P only)



Genie Industries, Inc.

A Terex Company

18340 NE 76th Street
PO Box 97030
Redmond, WA 98073-9730

TEL +1 (425) 881-1800
TOLL FREE +1 (800) 536-1800
PARTS & TECH SUPPORT +1 (800) 228-6444
FAX +1 (425) 883-3475
WEB www.genieindustries.com

For more information, product demonstration, or details on purchase, lease and rental plans, please contact your local Genie distributor.

Distributed By:



www.onesourcerental.com

Effective Date: September, 2008. Product specifications and prices are subject to change without notice or obligation. The photographs and/or drawings in this document are for illustrative purposes only. Refer to the appropriate Operator's Manual for instructions on the proper use of this equipment. Failure to follow the appropriate Operator's Manual when using our equipment or to otherwise act irresponsibly may result in serious injury or death. The only warranty applicable to our equipment is the standard written warranty applicable to the particular product and sale and we make no other warranty, express or implied. Products and services listed may be trademarks, service marks or trade-names of Terex Corporation, Genie Industries, Inc. and/or their subsidiaries in the U.S.A. and many other countries. All rights are reserved. Terex® is a registered trademark of Terex Corporation in the U.S.A. and many other countries. Genie® is a registered trademark of Genie Industries, Inc. in the U.S.A. and many other countries. Genie is a Terex Company. © 2008 Terex Corporation.