

Vertical Shores

Speed Shore's aluminum hydraulic Vertical Shores* are the safest, most versatile means of shoring an excavation. Typically, one worker can safely shore a trench as quickly as it is excavated, allowing the excavator to operate at full digging capacity. Active pre-loading of trench walls maintains vertical trench sides, preventing soil movement

and optimizing work space. Excavation requirements are minimized, thus reducing fill and compaction needs, and dramatically lowering cost per foot of trench.

Designed to shore vertical trenches as well as less uniform excavations, Vertical Shores offer optimum versatility when restrictions are imposed by parallel or crossing utilities. In more stable soils, Vertical Shores may be used directly against the trench face. When conditions indicate trench face sloughing or local raveling, plywood or similar sheeting may be used in conjunction with Vertical Shores.

Single Shores (Vertical Shores with one cylinder connected to short rails) are especially applicable in excavations with limited work area, or where spot-bracing is necessary. They are also commonly used in conjunction with other trench shoring systems to provide support around crossing utilities.



*U.S. Patent No.3224201



Vertical Shores Offer Maximum Versatility & Safety.

- **100% Above-Ground Installation**
eliminates worker exposure to dangerous trench collapses.
- **Aluminum Alloy Construction**
provides lightweight, extremely portable systems of exceptional strength.
- **Easy-To-Use Hydraulic System**
allows one-man installation and removal. Safety bleed-off ports eliminate overextension of cylinders while gauge-regulated pumps insure even loading.
- **Hinged, Flat Cylinder Pads**
insure even load distribution to rails with no load-bearing on critical connecting pins.
- **C-60 Soil Certification**
means that Speed Shore's standard Vertical Shores are P.E. Certified for use in A, B or C-60 soils.
- **Optional One-Piece Extensions**
are easily installed at the jobsite, extending the operating ranges of Vertical Shores to cover a variety of trench widths.

SPEED SHORE®
PIONEERING TRENCH SAFETY

Standard Vertical Shores

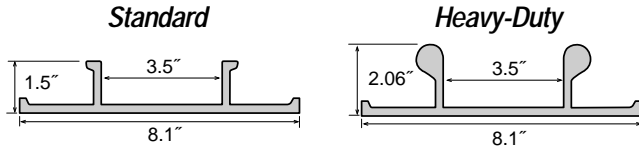
MODEL	RAIL LENGTH (Ft.)	CYLINDER RANGE (In.)	CYLINDER STROKE (In.)	WEIGHT (Lbs.)
V-01.5-27	1.5	17 - 27	10	21
V-01.5-36	1.5	22 - 36	14	23
V-01.5-46	1.5	28 - 46	18	25
V-01.5-55	1.5	34 - 55	21	28
V-01.5-64	1.5	40 - 64	24	30
V-01.5-88	1.5	52 - 88	36	36
V-03.5-27	3.5	17 - 27	10	44
V-03.5-36	3.5	22 - 36	14	50
V-03.5-46	3.5	28 - 46	18	55
V-03.5-55	3.5	34 - 55	21	60
V-03.5-64	3.5	40 - 64	24	68
V-03.5-88	3.5	52 - 88	36	77
V-05-27	5	17 - 27	10	55
V-05-36	5	22 - 36	14	60
V-05-46	5	28 - 46	18	65
V-05-55	5	34 - 55	21	70
V-05-64	5	40 - 64	24	77
V-05-88	5	52 - 88	36	87
V-07-27	7	17 - 27	10	65
V-07-36	7	22 - 36	14	70
V-07-46	7	28 - 46	18	75
V-07-55	7	34 - 55	21	80
V-07-64	7	40 - 64	24	89
V-07-88	7	52 - 88	36	97

Heavy-Duty Vertical Shores

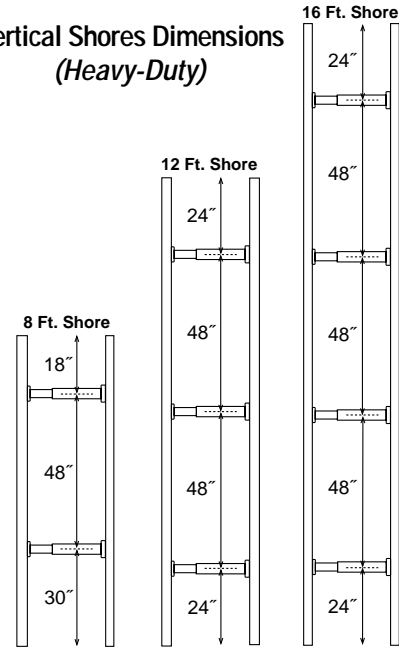
MODEL	RAIL LENGTH (Ft.)	CYLINDER RANGE (In.)	CYLINDER STROKE (In.)	WEIGHT (Lbs.)
V-08-27	8	17 - 27	10	90
V-08-36	8	22 - 36	14	94
V-08-46	8	28 - 46	18	98
V-08-55	8	34 - 55	21	101
V-08-64	8	40 - 64	24	110
V-08-88	8	52 - 88	36	118
V-12-27	12	17 - 27	10	132
V-12-36	12	22 - 36	14	138
V-12-46	12	28 - 46	18	147
V-12-55	12	34 - 55	21	152
V-12-64	12	40 - 64	24	162
V-12-88	12	52 - 88	36	177
V-16-27	16	17 - 27	10	174
V-16-36	16	22 - 36	14	185
V-16-46	16	28 - 46	18	196
V-16-55	16	34 - 55	21	203
V-16-64	16	40 - 64	24	216
V-16-88	16	52 - 88	36	235

Vertical Shore Configurations

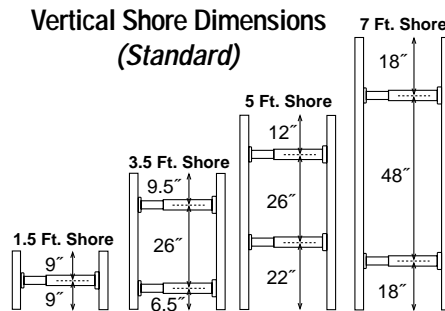
Rail Cross-Sections



Vertical Shores Dimensions (Heavy-Duty)



Vertical Shore Dimensions (Standard)



Pumps & Tools



HP-100



HVP-2000



HP-200



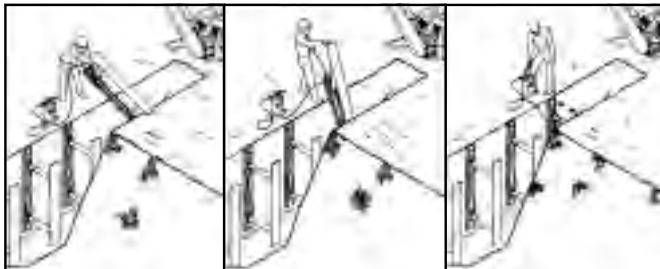
RELEASE TOOL

Shoring Shields are rapidly installed (pressurized) with three specially designed shoring pumps. The economical HP-100 has a 5-gallon fluid reservoir, and is light enough to hand carry. The HPV-2000 has a 7.5 gallon fluid reservoir in a rugged rust-resistant polyurethane housing and features a high volume pump mechanism. The battery-powered HP-200 has a 12-gallon reservoir and is wheel-mounted for ease of transport along the trench. All pumps have easy-to-read pressure gauges and convenient control valves. The water-based Summer and Winter-grade Shoring Fluids are environmentally safe, cost-effective, and cover a full range of operating temperatures.

Specially designed Shoring Tools make for easy installation and removal of shores. They are available in 30", 48", and 96" lengths.

100% Above-Ground Installation and Removal Eliminates Exposure to Trench Collapse

INSTALLATION IS FAST AND EASY—PLACE AS YOU DIG

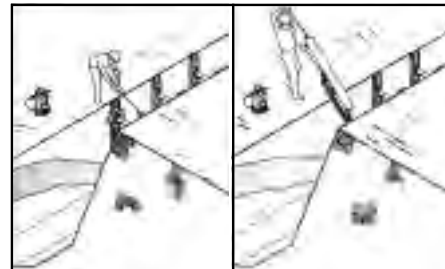


Set-up and position shore at edge of trench, and connect pump hose

Slide shore into place from above-ground

Pump cylinders up to proper pressure, then disconnect pump hose

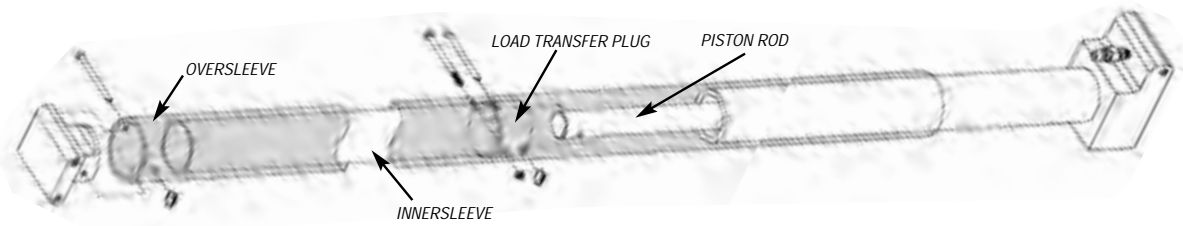
SAFE, QUICK REMOVAL



Bleed-off shoring fluid, allowing shore to contract

Lift shore out of trench safely from above-ground

Cylinder Extensions



Cylinder extensions are a convenient and efficient means of extending the minimum and maximum working range of shores. Reusable, lightweight aluminum extension units are easily connected to each cylinder in the field. Such versatility allows shoring of various trench widths with the same shores. Cylinder extension units are pre-assembled for ease of attachment, and include all connecting hardware.

MODEL	DESCRIPTION	CYLINDER RANGE Without extension (In.)	CYLINDER RANGE With extension (In.)
2-E-2711	11 inch Extension - Model 27	17 - 27	28 - 38
2-E-2722	22 inch Extension - Model 27	17 - 27	39 - 49
2-E-2733	33 inch Extension - Model 27	17 - 27	50 - 60
2-E-3611	11 inch Extension - Model 36	22 - 36	33 - 47
2-E-3622	22 inch Extension - Model 36	22 - 36	44 - 58
2-E-3633	33 inch Extension - Model 36	22 - 36	55 - 69
2-E-4615	15 inch Extension - Model 46	28 - 46	43 - 61
2-E-4630	30 inch Extension - Model 46	28 - 46	58 - 76
2-E-4645	45 inch Extension - Model 46	28 - 46	73 - 91
2-E-5518	18 inch Extension - Model 55	34 - 55	52 - 73
2-E-5536	36 inch Extension - Model 55	34 - 55	70 - 91
2-E-5554*	54 inch Extension - Model 55	34 - 55	88 - 109
2-E-6421	21 inch Extension - Model 64	40 - 64	61 - 85
2-E-6442*	42 inch Extension - Model 64	40 - 64	82 - 106
2-E-6456*	56 inch Extension - Model 64	40 - 64	96 - 120
2-E-8824*	24 inch Extension - Model 88	52 - 88	76 - 112
2-E-8842*	42 inch Extension - Model 88	52 - 88	94 - 130
2-E-8856*	56 inch Extension - Model 88	52 - 88	108 - 144

* Steel box tubing oversleeve may be required. Consult Speed Shore's Tabulated Data.

Pioneer of the World's Most Advanced Trench Safety Systems



Shoring Shields* Vertical Shores Water Systems Excavation Braces Modular Alum. Panel Systems Aluminum Trench Shields Steel Trench Shields Manhole Shields Manguard® Shields Slide-Rail Systems Mega-Shore® Systems Bedding Boxes

SPEED SHORE®
PIONEERING TRENCH SAFETY

3330 S. SAM HOUSTON PKWY E. ■ HOUSTON, TEXAS 77047
(713) 943-0750 ■ FAX (713) 943-8483 ■ USA TOLL FREE: 1-800-231-6662
www.speedshore.com

Authorized Distributor

One Source
RENTALS • SALES • SERVICE

www.onesourcerental.com