



SJ9250 RT

ROUGH TERRAIN SCISSOR

Distributed By:



STANDARD FEATURES

- Axle based 4WD system
- “Detroit Locker” type rear differential and limited slip front differential
- Dual fuel (gas/propane) or diesel engine
- Self-centering scissor design allows extension decks to be added to both ends
- 5' (1.52 m) Powered extension deck
- Disc brake system on rear axle
- Independent/Auto leveling outriggers
- 30% Gradeability
- 110V AC outlet on platform with GFI
- Tilt alarm with drive & lift cut-out
- All motion audible alarm
- Lanyard attachment points
- Tie down/lift lugs
- Operator horn
- Flashing light
- Fold down hinged railing system
- Half height spring hinged gates on both sides
- Grip Lug, air-filled tires
- Relay based control system
- Color coded and numbered wiring system
- Telematics ready

ACCESSORIES AND OPTIONS

- Dual 5' (1.5 m) Powered extension decks
- 3500W hydraulic generator
- Diesel scrubber for tier 4 interim engine
- Full height spring hinged gates
- Cold weather start package (Includes hydraulic oil tank heater, battery blanket, coolant or block heater)
- Positive air shut-off valve
- Non destructive testing
- Warranty Options (3 year or 5 year plans available)

TIRE OPTIONS

- Grip lug foam-filled tires
- Non-marking grip lug air-filled tires
- Non-marking grip lug foam-filled tires

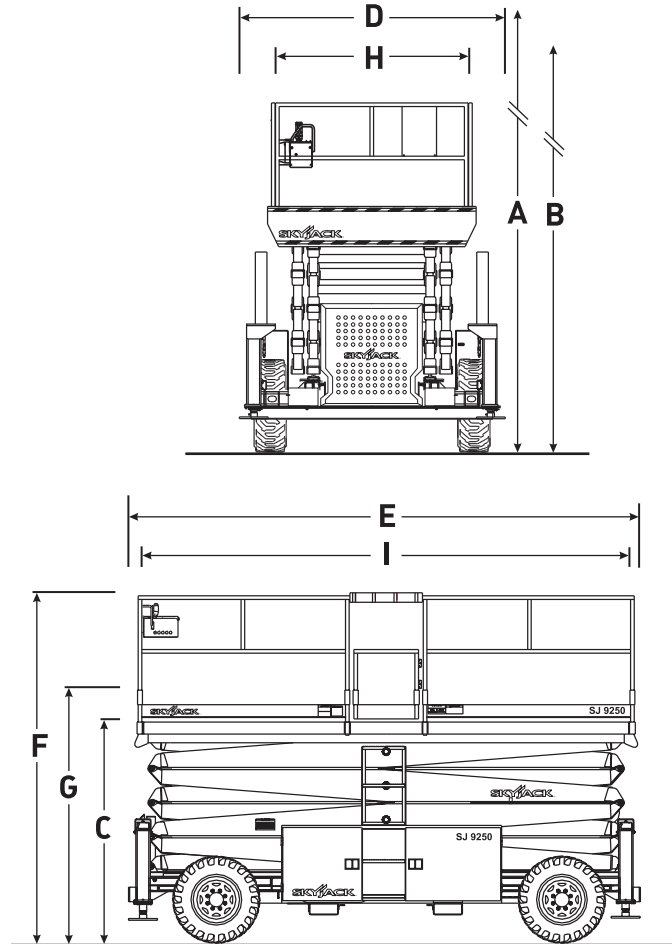
* Standard lead times may be increased when optional equipment is added, consult factory.

† Capacities, and machine weights may differ when options are added.

SJ9250 RT ROUGH TERRAIN SCISSOR

Dimensions	SJ9250 RT
A Work Height	56' (17.07 m)
B Raised Platform Height	50' (15.24 m)
C Lowered Platform Height	79" (2.01 m)
D Overall Width	92" (2.34 m)
E Overall Length	176" (4.47 m)
F Stowed Height (Rails Up)	124.5" (3.17 m)
G Stowed Height (Rails Down)	90" (2.29 m)
H Platform Width (Inside Dimension)	74" (1.88 m)
I Platform Length (Inside Dimension)	168" (4.27 m)

Specifications	SJ9250 RT
Extension Deck	5' (1.52 m)
Ground Clearance	8" (0.20 m)
Wheelbase	119" (3.02 m)
Weight	15,200 lbs (6,895 kg)
Gradeability	30%
Turning Radius (Inside)	210" (5.33 m)
Turning Radius (Outside)	301" (7.65 m)
Lift Time (With Rated Load)	67 sec
Lower time (With Rated Load)	72 sec
Drive Speed (Stowed)	2 mph (3.2 km/h)
Drive Speed (Raised)	0.6 mph (1 km/h)
Maximum Drive Height	30' (9.14 m)
Capacity (Overall)	1,500 lbs (680 kg)
Local Floor Load (With Rated Load)	146 psi (1006 kPa)
Overall Floor Load (With Rated Load)	204 psf (10 kPa)
Maximum # of Persons	5
Tire Type	Air Filled
Tire Size	10 x 16.5



Distributed By:



www.onesourcerental.com

Model	Capacity With 1 Extension Deck*		Capacity With 2 Extension Decks*		
	Main	Front Ext.	Main	Front Ext.	Rear Ext.
SJ 9250	1,000 lbs (454 kg)	500 lbs (227 kg)	500 lbs (227 kg)	500 lbs (227 kg)	500 lbs (227 kg)

Skyjack Head Office
 55 Campbell Rd. Guelph, ON Canada N1H 1B9
 Sales Inquiries: 1-877-755-4387 (1-877-SJLIFTS)
 Main Switchboard: 1-800-265-2738
 Phone: 519-837-0888
 Fax: 519-837-8104
 Email: skyjack@skyjack.com
www.skyjack.com

This brochure is for illustrative purpose only and based on the latest information at the time of printing. Skyjack Inc. reserves the right to make changes at any time, without notice, to specifications, standard and optional equipment. Consult the Operating Maintenance and Parts Manuals for proper procedures. Work platforms have been tested to comply with ANSI and CSA standards as interpreted by Skyjack Inc.

