



# SHUTTLELIFT

## Carrydeck® Industrial Crane

Distributed By:

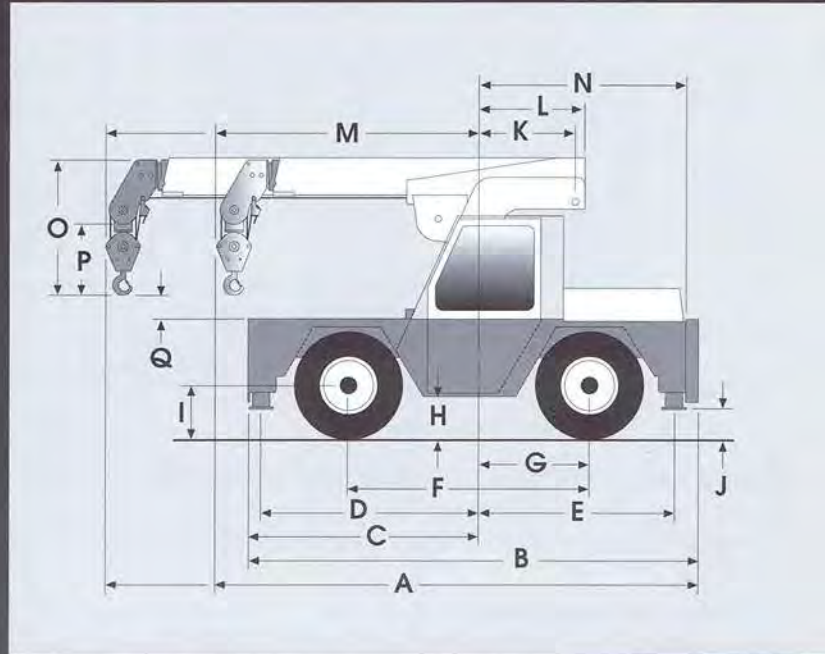


[www.onesourcerental.com](http://www.onesourcerental.com)

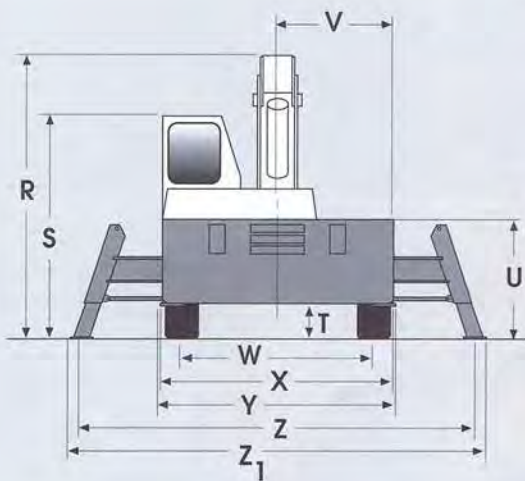
### DIMENSIONAL DATA

U.S. (METRIC)

A. Overall length-transport position:	
3330E.....	12'11" (3.94 m)
3330E with counterweight .....	13'3" (4.04 m)
3330ELB .....	16'3" (4.95 m)
B. Overall length of frame.....	
12'0" (3.66 m)	
With rear counterweight.....	12'4" (3.76 m)
C. C <sub>L</sub> rotation to front of frame .....	
5'7" (1.70 m)	
D. C <sub>L</sub> rotation to C <sub>L</sub> front outrigger .....	
5'3" (1.60 m)	
E. C <sub>L</sub> rotation to C <sub>L</sub> rear outrigger.....	
5'11" (1.80 m)	
F. Wheelbase .....	
6'7" (2.01 m)	
G. C <sub>L</sub> rotation to C <sub>L</sub> rear axle.....	
3'7.5" (1.10 m)	
H. Ground line to first step .....	
1'4" (0.41 m)	
I. Ground line to center of axle .....	
1'6" (0.46 m)	
J. Outrigger clearance .....	
1'0" (0.30 m)	
K. C <sub>L</sub> rotation to boom pivot pin .....	
2'11.75" (0.91 m)	
L. Tail swing .....	
3'7.75" (1.11 m)	
M. C <sub>L</sub> rotation to tip of head section:	
3330E .....	6'7" (2.01 m)
3330ELB .....	9'7" (2.92 m)



N. C <sub>L</sub> rotation to rear of deck.....	6'4" (1.93 m)
O. Boom end height:	
At 0° boom angle .....	3'9" (1.14 m)
At 60° boom angle .....	2'9.5" (0.85 m)
P. Length of hook block.....	1'9.5" (0.55 m)
Q. Height of hook from deck at 0° .....	8.75" (0.22 m)
R. Overall height — travel position.....	7'10" (2.39 m)
S. Height to top of cab.....	6'1" (1.85 m)
T. Ground clearance .....	9.5" (0.24 m)
U. Deck height:	
On standard tires .....	3'3.5" (1.0 m)
On outriggers.....	3'7" (1.09 m)
V. C <sub>L</sub> rotation to side of deck .....	3'2" (0.97 m)
W. Wheel tread .....	5'3" (1.60 m)
X. Frame width .....	6'4" (1.93 m)
Y. Overall width — outriggers retracted .....	6'7" (2.01 m)
Z. Outrigger spread C <sub>L</sub> to C <sub>L</sub> .....	11'2" (3.40 m)
Z <sub>1</sub> Overall width — outriggers extended.....	11'8" (3.56 m)



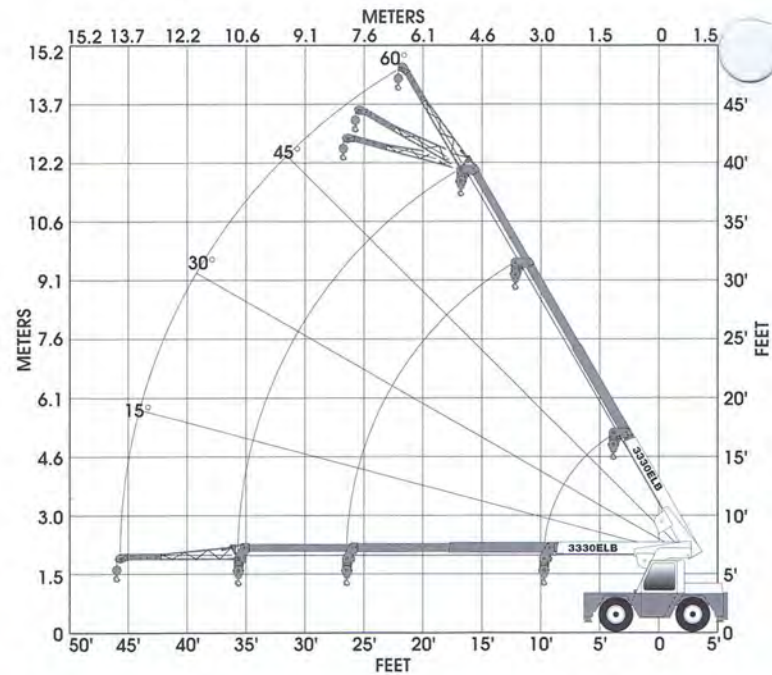
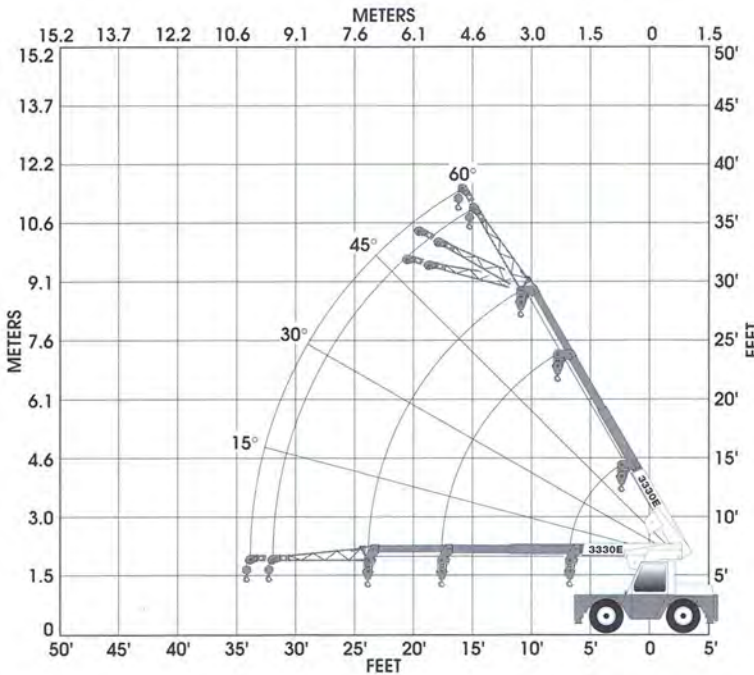
Note: All dimensions with standard tires unless otherwise noted.

## 3330E & 3330ELB

### Dimensions and Specifications



# OPERATING DATA



### 3330E 3 AND 4-SECTION BOOM WITH 8' (2.4 m) JIB

8.5 ton (7.7 metric ton) main block, 100 lb (45.4 kg). 4.1 ton (3.6 metric ton) ball and hook, 50 lb (22.7 kg). 8' jib (stowed on main boom) 130 lb (59 kg).

### 3330ELB 3 AND 4-SECTION BOOM WITH 10' (3.0 m) JIB

8.5 ton (7.7 metric ton) main block, 100 lb (45.4 kg). 4.1 ton (3.6 metric ton) ball and hook, 50 lb (22.7 kg). 10' jib (stowed on main boom) 160 lb (73 kg).

- The rated loads are the maximum lifting capacities as determined by operating radius only. Any combination of boom lengths and angles may be used to obtain operating radius. The operating radius is the horizontal distance from a projection of the axis of rotation to the supporting surface, before loading, to the center of the vertical hoist line or tackle with load applied.
- The rated loads shown on full extended outriggers do not exceed 85% of actual tipping. The rated loads shown on rubber do not exceed 75% of actual tipping. These ratings are based on freely suspended loads with the machine leveled, standing on a firm, uniform supporting surface. Practical working loads depend on supporting surface operating radius, and other factors affecting stability. Hazardous surroundings, experience of personnel and proper handling must all be taken into account by the operator.
- Rated loads shown in the shaded areas are based on structural strength and/or strength of material and not on the stability of the machine.
- The weights of all load handling devices such as hooks, hook blocks, slings, etc., except the hoist rope, shall be considered as part of the load.
- Ratings on outriggers with all outriggers fully extended and fully down. If any of the outriggers are down but not fully extended, then the rating shown with outriggers retracted and

down shall apply.

- Ratings on rubber depend on tire capacity, condition of tires, and proper inflation pressure. Loads on rubber may be transported at maximum speed of 2.5 mph (4 km/h) on a smooth, hard, level surface, with boom retracted to shortest length possible and centered over front. Pick and carry is not allowed with loads on jib.
- For operating radius not shown, use load ratings of the next larger radius.
- The maximum combined total boom and deck load is 12,000 lb (5440 kg). For deck loads only, the maximum load is 14,000 lb (6350 kg) with 10 x 15 tires.
- Cable capacity with 7/16" (11 mm) diameter 6 x 19 EIPS-IWRC is 5,000 lb (2268 kg) per part of line.
- No external side load is to be induced on boom.
- Operation of this equipment in excess of rating charts and disregard of instructions is dangerous and voids warranty.
- Operate jib on outriggers only.
- Operate personnel platform on outriggers only.
- With boom attachments such as jib or work platform, boom must be fully retracted and forward unless on outriggers.

## GENERAL INFORMATION

Boom topping angle .....	60°
Unit weight (approximate):	
Standard boom.....	14,250 lb (6464 kg)
Long boom.....	17,280 lb (7840 kg)
Outrigger pad size .....	7.4" x 7.8" (188 mm x 198 mm)

## SERVICE CAPACITIES

Fuel tank .....	18.5 gal (70 L)
Hydraulic system.....	30 gal (114 L)
Hydraulic reservoir .....	23.5 gal (89 L)
Cooling system.....	15 qt (14 L)
Transmission/ torque converter.....	4 gal (15.1 L)
Differential	
Hurth .....	9 qt (8.5 L)

## WINCHES

Main winch:	
Drum diameter .....	9.69" (246 mm)
Wire rope diameter .....	7/16" (11 mm)
Wire rope length:	
Standard boom .....	150' (45.7 m)
Long boom .....	204' (62.2 m)
Line speed .....	118 fpm (36 m/min)
Line pull.....	4,600 lb (2087 kg)

### Recessed winch (optional):

Drum .....	2.5" diameter x 9.0" long (64 mm x 229 mm)
Wire rope diameter .....	1/4" (6 mm)
Wire rope length .....	100' (2.54 m)
Line speed/pull.....	9 fpm (2.7 m/min) @ 6,000 lb (2722 kg)
	15 fpm (4.6 m/min) @ no load.
	Drum clutch release for manual pullout.



# RATED LOAD CAPACITIES

3330E

Operating Radius	3-Section Boom or 4-Section Boom With 4th Retracted						4-Section Boom Extended					Pick & Carry Over Front
	On Rubber	On Full Extended Outriggers		Outriggers Retracted and Down		On Rubber	On Full Extended Outriggers		Outriggers Retracted and Down			
	Less Jib 360°	Less Jib 360°	w/8' Jib 360°	Less Jib 360°	w/8' Jib 360°	Less Jib 360°	Less Jib 360°	w/8' Jib 360°	Less Jib 360°	w/8' Jib 360°		
5' (1.5 m)	9,500 lb (4310 kg)	17,000 lb (7710 kg)	2,900 lb (1310 kg)	17,000 lb (7710 kg)	2,900 lb (1320 kg)	6,100 lb (2770 kg)	6,100 lb (2770 kg)	—	6,100 lb (2770 kg)	—	10,000 lb (4540 kg)	
6' (1.8 m)	6,700 lb (3040 kg)	14,500 lb (6580 kg)	2,900 lb (1310 kg)	14,500 lb (6580 kg)	2,900 lb (1320 kg)	6,100 lb (2770 kg)	6,100 lb (2770 kg)	—	6,100 lb (2770 kg)	—	7,600 lb (3450 kg)	
8' (2.4 m)	4,300 lb (1950 kg)	11,600 lb (5260 kg)	2,500 lb (1130 kg)	9,100 lb (4130 kg)	2,500 lb (1130 kg)	3,500 lb (1590 kg)	5,300 lb (2400 kg)	3,000 lb (1360 kg)	5,300 lb (2400 kg)	3,000 lb (1360 kg)	5,600 lb (2540 kg)	
10' (3.0 m)	3,000 lb (1360 kg)	10,000 lb (4540 kg)	2,300 lb (1040 kg)	5,900 lb (2680 kg)	2,300 lb (1040 kg)	2,400 lb (1090 kg)	4,700 lb (2130 kg)	2,800 lb (1270 kg)	4,700 lb (2130 kg)	2,800 lb (1270 kg)	3,600 lb (1630 kg)	
12' (3.7 m)	2,300 lb (1040 kg)	8,800 lb (3990 kg)	2,100 lb (950 kg)	4,300 lb (1950 kg)	2,100 lb (950 kg)	1,800 lb (820 kg)	4,400 lb (2000 kg)	2,600 lb (1180 kg)	4,400 lb (2000 kg)	2,600 lb (1180 kg)	2,800 lb (1250 kg)	
14' (4.3 m)	1,800 lb (820 kg)	6,600 lb (2990 kg)	2,000 lb (910 kg)	3,200 lb (1450 kg)	2,000 lb (910 kg)	1,300 lb (590 kg)	4,400 lb (2000 kg)	2,300 lb (1040 kg)	3,600 lb (1630 kg)	2,300 lb (1040 kg)	2,200 lb (1000 kg)	
16' (4.9 m)	1,400 lb (640 kg)	5,300 lb (2400 kg)	2,000 lb (910 kg)	2,600 lb (1180 kg)	2,000 lb (910 kg)	1,100 lb (500 kg)	4,400 lb (2000 kg)	2,200 lb (1000 kg)	2,900 lb (1320 kg)	2,200 lb (1000 kg)	1,700 lb (770 kg)	
18' (5.5 m)	1,000 lb (450 kg)	4,400 lb (2000 kg)	2,000 lb (910 kg)	2,200 lb (1000 kg)	2,000 lb (910 kg)	1,000 lb (450 kg)	4,400 lb (2000 kg)	2,100 lb (950 kg)	2,400 lb (1090 kg)	2,100 lb (950 kg)	1,600 lb (730 kg)	
20' (6.1 m)	—	—	2,000 lb (910 kg)	—	2,000 lb (910 kg)	800 lb (360 kg)	3,800 lb (1720 kg)	2,000 lb (910 kg)	2,000 lb (910 kg)	2,000 lb (910 kg)	1,100 lb (500 kg)	
22' (6.7 m)	—	—	2,000 lb (910 kg)	—	1,750 lb (790 kg)	600 lb (270 kg)	3,200 lb (1450 kg)	2,000 lb (910 kg)	1,650 lb (750 kg)	2,000 lb (910 kg)	—	
24' (7.3 m)	—	—	2,000 lb (910 kg)	—	1,450 lb (660 kg)	500 lb (230 kg)	2,900 lb (1320 kg)	2,000 lb (910 kg)	1,540 lb (700 kg)	1,700 lb (770 kg)	—	
26' (7.9 m)	—	—	2,000 lb (910 kg)	—	1,300 lb (590 kg)	—	—	2,000 lb (910 kg)	—	1,400 lb (640 kg)	—	
28' (8.5 m)	—	—	—	—	—	—	—	2,000 lb (910 kg)	—	—	—	
30' (9.1 m)	—	—	—	—	—	—	—	2,000 lb (910 kg)	—	1,100 lb (500 kg)	—	
32' (9.8 m)	Shaded area is structural strength. Do not rely on tipping.						—	—	1,800 lb (820 kg)	—	1,020 lb (460 kg)	—

3330ELB

Operating Radius	3-Section Boom or 4-Section Boom With 4th Retracted						4-Section Boom Extended					Pick & Carry Over Front
	On Rubber	On Full Extended Outriggers		Outriggers Retracted and Down		On Rubber	Outriggers Extended and Down		Outriggers Retracted and Down			
	Less Jib 360°	Less Jib 360°	w/10' Jib 360°	Less Jib 360°	w/10' Jib 360°	Less Jib 360°	Less Jib 360°	w/10' Jib 360°	Less Jib 360°	w/10' Jib 360°		
5' (1.5 m)	10,000 lb (4540 kg)	17,000 lb (7710 kg)	—	17,000 lb (7710 kg)	—	—	—	—	—	—	10,000 lb (4540 kg)	
6' (1.8 m)	7,700 lb (3490 kg)	15,700 lb (7120 kg)	—	15,700 lb (7120 kg)	—	—	—	—	—	—	9,500 lb (4310 kg)	
8' (2.4 m)	4,800 lb (2180 kg)	12,400 lb (5620 kg)	2,200 lb (1000 kg)	10,800 lb (4900 kg)	2,200 lb (1000 kg)	4,800 lb (2180 kg)	4,900 lb (2200 kg)	—	4,900 lb (2230 kg)	—	8,900 lb (4040 kg)	
10' (3.0 m)	3,400 lb (1540 kg)	10,200 lb (4630 kg)	1,900 lb (850 kg)	7,100 lb (3220 kg)	1,900 lb (860 kg)	3,900 lb (1770 kg)	4,300 lb (1950 kg)	—	4,300 lb (1950 kg)	—	6,100 lb (2770 kg)	
12' (3.7 m)	2,400 lb (1090 kg)	8,800 lb (3990 kg)	1,700 lb (780 kg)	5,000 lb (2270 kg)	1,700 lb (770 kg)	2,800 lb (1270 kg)	3,800 lb (1720 kg)	1,900 lb (860 kg)	3,800 lb (1720 kg)	1,900 lb (860 kg)	4,500 lb (2040 kg)	
14' (4.3 m)	1,800 lb (820 kg)	7,100 lb (3220 kg)	1,600 lb (710 kg)	3,800 lb (1720 kg)	1,600 lb (730 kg)	2,200 lb (1000 kg)	3,400 lb (1540 kg)	1,700 lb (770 kg)	3,400 lb (1540 kg)	1,700 lb (770 kg)	3,500 lb (1590 kg)	
16' (4.9 m)	1,300 lb (590 kg)	5,800 lb (2630 kg)	1,500 lb (680 kg)	2,900 lb (1320 kg)	1,500 lb (680 kg)	1,800 lb (820 kg)	3,100 lb (1410 kg)	1,650 lb (750 kg)	3,020 lb (1370 kg)	1,650 lb (750 kg)	2,800 lb (1270 kg)	
18' (5.5 m)	1,000 lb (450 kg)	4,400 lb (2000 kg)	1,500 lb (680 kg)	2,300 lb (1040 kg)	1,500 lb (680 kg)	1,500 lb (680 kg)	2,900 lb (1320 kg)	1,600 lb (720 kg)	2,650 lb (1200 kg)	1,600 lb (730 kg)	2,400 lb (1090 kg)	
20' (6.1 m)	800 lb (360 kg)	3,700 lb (1680 kg)	1,500 lb (680 kg)	1,950 lb (890 kg)	1,500 lb (680 kg)	1,200 lb (540 kg)	2,900 lb (1320 kg)	1,600 lb (720 kg)	2,300 lb (1040 kg)	1,600 lb (730 kg)	1,900 kg (860 kg)	
22' (6.7 m)	700 lb (320 kg)	3,100 lb (1410 kg)	1,500 lb (680 kg)	1,650 lb (750 kg)	1,500 lb (680 kg)	900 lb (410 kg)	2,900 lb (1320 kg)	1,500 lb (700 kg)	2,000 lb (910 kg)	1,500 lb (680 kg)	1,700 kg (700 kg)	
24' (7.3 m)	500 lb (230 kg)	2,700 lb (1220 kg)	1,500 lb (680 kg)	1,400 lb (640 kg)	1,500 lb (680 kg)	700 lb (320 kg)	2,800 lb (1270 kg)	1,500 lb (700 kg)	1,700 lb (770 kg)	1,500 lb (680 kg)	1,400 lb (640 kg)	
26' (7.9 m)	400 lb (180 kg)	2,300 lb (1040 kg)	1,500 lb (680 kg)	1,200 lb (540 kg)	1,500 lb (680 kg)	600 lb (270 kg)	2,600 lb (1180 kg)	1,500 lb (700 kg)	1,350 lb (610 kg)	1,500 lb (680 kg)	1,300 lb (590 kg)	
28' (8.5 m)	—	—	1,500 lb (680 kg)	—	1,400 lb (640 kg)	500 lb (230 kg)	2,200 lb (1000 kg)	1,500 lb (700 kg)	1,150 lb (520 kg)	1,500 lb (680 kg)	—	
30' (9.1 m)	—	—	1,500 lb (680 kg)	—	1,250 lb (570 kg)	400 lb (180 kg)	2,000 lb (910 kg)	1,500 lb (700 kg)	1,000 lb (450 kg)	1,500 lb (680 kg)	—	
32' (9.8 m)	—	—	1,500 lb (680 kg)	—	1,100 lb (500 kg)	300 lb (135 kg)	1,700 lb (770 kg)	1,500 lb (700 kg)	800 lb (360 kg)	1,300 lb (510 kg)	—	
34' (10.4 m)	—	—	1,500 lb (680 kg)	—	930 lb (420 kg)	200 lb (90 kg)	1,500 lb (680 kg)	1,500 lb (700 kg)	800 lb (360 kg)	1,120 lb (510 kg)	—	
36' (11.0 m)	—	—	1,500 lb (680 kg)	—	760 lb (350 kg)	200 lb (90 kg)	1,400 lb (640 kg)	1,500 lb (700 kg)	760 lb (350 kg)	970 lb (440 kg)	—	
38' (11.6 m)	—	—	—	—	—	—	—	1,400 lb (600 kg)	—	860 lb (390 kg)	—	
40' (12.2 m)	—	—	—	—	—	—	—	1,300 lb (600 kg)	—	740 lb (340 kg)	—	
42' (12.8 m)	—	—	—	—	—	—	—	1,150 lb (500 kg)	—	630 lb (290 kg)	—	
44' (13.4 m)	—	—	—	—	—	—	—	1,050 lb (500 kg)	—	540 lb (250 kg)	—	
46' (14.0 m)	Shaded area is structural strength. Do not rely on tipping.						—	—	930 lb (400 kg)	—	440 lb (200 kg)	—



# 3330E & 3330ELB SPECIFICATIONS

## STANDARD EQUIPMENT

- 3330E—3-section boom 6'4" (1.93 m) to 18.2' (5.54 m) from center of rotation.
- 3330ELB—3-section boom, 9'4" (2.84 m) to 27'2" (8.28 m) from center of rotation.
- All load carrying cylinders include load hold check valves
- 8.5 ton (7.7 metric ton) double sheave hook block, 8.25" (210 mm) pitch diameter sheaves
- 42 ft<sup>2</sup> (3.90 m<sup>2</sup>) carrydeck
- All steel cab structure less glass (top safety plate standard)
- Adjustable operator's seat with seat belt
- Electric horn
- Lights—head, tail, rear work, stop and turn signals
- Engine hourmeter
- Outriggers—hydraulic telescoping box—front and rear with independent control for each side
- 4-speed power shift transmission
- Power steering—hydraulic
- 10 x 15 tires
- Boom angle indicator
- 7/16" (11 mm) diameter 6 x 19 EIPS IWRC wire rope
- Double blocking automatic boom extend kickout
- Backup alarm
- Cummins 4b3.9 diesel engine
- Hurth axle with no-spin differential (2-wheel steer)
- Winch—anti two block kickout

## OPTIONAL EQUIPMENT

- 3330E—4-section manually engaged boom—reach to 24'8" (7.52 m) from center of rotation
- 3330ELB—4-section manually engaged boom—reach to 36'8" (11.17 m) from center of rotation
- Enclosed cab (with windshield wiper)
- Adjustable operator cushion seat with seat belt
- 4-wheel/crab steer Hurth drive/steer axle with no-spin differential
- Continental TM 2.7 gas/LP engine

## ACCESSORIES & ATTACHMENTS

- Cold-start kit
- LMI indicator system
- Flashing strobe light
- Rear hitch
- Front hitch
- Jib—8' (2.44 m) or 10' (3.05 m)
- Electric recessed winch
- 4.1 ton (3.6 metric ton) hook and ball
- Heater and defroster (hot water)
- Spare wheel and tire—front and rear
- Engine shut-down gauges
- 3330E—heavy lift counterweight kit
- 2 man work platform
- High rail attachment

## HYDRAULIC SYSTEM

Main pump: Tandem gear-type with two sections and flow divider.

Section 1..... 30 gpm (113.6 L/min)  
Section 2..... 21 gpm (79.5 L/min)

**Swing system:** 360° hydraulic swing system has positive operator control. Swing speed: continuous at 2.05 rpm.

## CYLINDERS

	CYCLE TIME	
	1000 rpm	2200 rpm
<b>Hoist cylinder (full stroke):</b>		
Extend	42.7 sec	12.6 sec
Retract	33.6 sec	9.9 sec
<b>Crowd cylinder (full stroke):</b>		
3330E		
Extend	71.2 sec	20.9 sec
Retract	29.0 sec	8.5 sec
3330ELB		
Extend	106.9 sec	31.4 sec
Retract	43.5 sec	12.8 sec
<b>Outriggers:</b>		
Out	9.2 sec	2.7 sec
Down	16.4 sec	4.8 sec
Up	12.3 sec	3.6 sec
In	5.1 sec	1.5 sec

## DRAWBAR PULL

Unit equipped with 10 x 15 tires, diesel engine and no load on deck.

1st gear	10,850 lb (4922 kg)
2nd gear	5,925 lb (2688 kg)
3rd gear	3,175 lb (1440 kg)
4th gear	1,800 lb (816 kg)

Note: Wheels will spin before reaching these values.

## ENGINE

Make and model..... Cummins 4b3.9 diesel  
Number of cylinders..... 4  
Horsepower..... 75 @ 2200 rpm

## Optional

Make and model..... Continental TM 2.7  
Fuel..... Gas or dual fuel (Gas/LP)  
Horsepower..... Gas 68 @ 2650 rpm  
LP 60 @ 2650 rpm

## ELECTRICAL

Starting..... 12 volt electric  
Battery (1)..... 820 CCA @ 0° F (-18° C)  
for 30 sec. rate  
(2 batteries with recessed winch or cold-start option)  
Alternator..... 63 amp

## TRANSMISSION

Make..... ITL PS 720 Powershift  
Type..... 4-speed forward/4-speed reverse  
with electric powershift on column

## DRIVE AXLE

Make..... Hurth  
Location..... Front of vehicle

## DRIVE/STEER AXLE (OPTIONAL)

Make..... Hurth  
Location..... Front of vehicle

## STEERING AXLE (NON-DRIVE)

Make..... Shuttlelift  
Location..... Rear of vehicle

## TIRE SIZE

10.00 x 15 14PR pneumatic (standard)

## TURNING SPECIFICATIONS

Turning radius:  
2-wheel steer..... 14'8" (4.47 m)  
4-wheel steer..... 10'2" (3.10 m)

## TRAVEL SPEEDS

(Forward and reverse — standard tires)

2-Wheel Steering:  
1st gear..... 4.0 mph (6.4 k/h)  
2nd gear..... 7.1 mph (11.4 k/h)  
3rd gear..... 12.7 mph (20.4 k/h)  
4th gear..... 22.6 mph (36.4 k/h)

## MAXIMUM GRADEABILITY

(PAVED SURFACE)

1st gear and torque converted (calculated), standard tires:  
No load..... 63%  
12,000 lb (5443 kg) load..... 29%

Note: Gradeability is a measure of tractive effort only and does not represent grades on which the machine can operate.

**NOTE:** All specifications are stated in accordance with PCSA definitions, SAE standards or recommended practices, where applicable.

**IMPORTANT:** Shuttlelift reserves the right to change these specifications without notice and without incurring any obligation relating to such changes.

Distributed By:



[www.onesourcerental.com](http://www.onesourcerental.com)



SHUTTLELIFT, INC., 49 E. Yew St., P.O. Box 66, Sturgeon Bay, WI 54235 USA  
Ph: 920-743-8650 • FAX: 920-743-1522 • TELEX: LIFTS STGB 260056