

Distributed By:

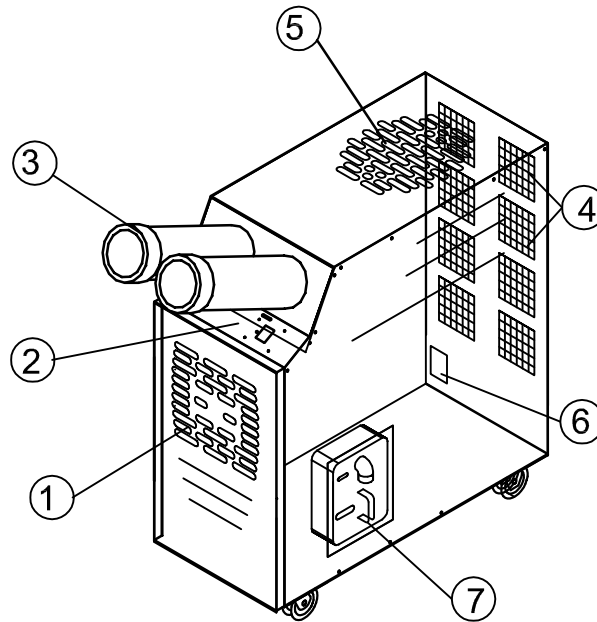


www.onesourcerental.com

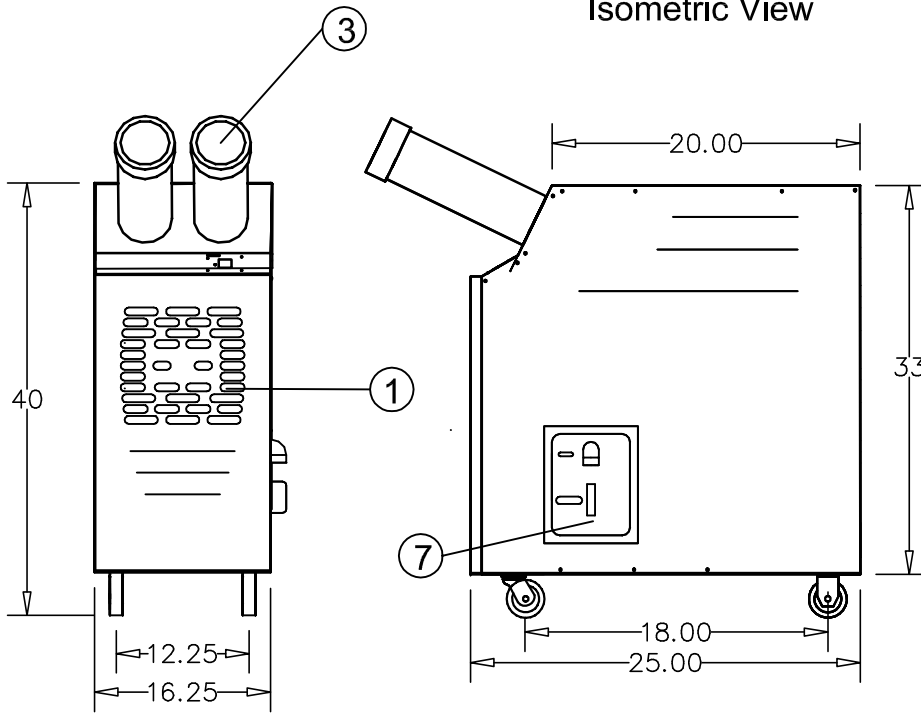
KPAC II-1.1Ton

Legend

- 1 Return Air Grill
- 2 Control Pad
- 3 Cold Air Supply Chutes
- 4 Condenser Air Intake Grill
- 5 Condenser Air Outlet Grill
- 6 Power Cord
- 7 3.5 gal. Condenser Tank



Isometric View



Front View

Right View



ETL LISTED CONFORMS TO ANSI/UL
1995 CERTIFIED TO CAN/CSAA22.2 NO.235



1-800-KWIKOOL

Distributed By:



www.onesourcerental.com

SPECIFICATIONS

KPAC II - 1.1 Ton

COOLING CAPACITY		
BTU/hr @ 95 F at 60%RH	13,700 (1.1 TON)	
COMPRESSOR DATA		
Compressor Type	HERMETIC ROTARY	
Operating Temperatures	70-100F 50% RH	
Non-CFC Refrigerant Charge (Lbs.)	421A	
FAN DATA		
EVAPORATOR		
Fan Type (Centrifugal)	DIRECT DRIVE	
Air Flow (CFM)	563/Single Speed	
Supply Air Data	2-5" Dia. x 12" Length	
Supply Air Chute Max. Length in Ft.	10 Ft.	
CONDENSER		
Fan Type (Centrifugal)	DIRECT DRIVE	
Air Flow (CFM)	700	
Condenser Duct Data (Optional)	One -12-in. Dia. x 8' Length	
Condenser Duct Max. Length in Ft.	15-ft	
ELECTRICAL DATA		
Power Supply (Volts)	115/Single Phase	
Current Consumption (Amps)	13	
Power Consumption (KW)	1.3	
Maximum Circuit Breaker (Amps)	15	
Minimum Circuit Capacity (Amps)	14.54	
Min/Max Voltage	105-125	
Power Cord Gauge/Length in Ft.	14 AWG/8-ft Length	
Plug Configuration	NEMA 5-15	
DIMENSIONAL DATA		
Width x Depth x Height (Inches)	16.25X26X33	
Weight (Lbs.)	160	
Shipping Weight (Lbs.)	210	
Single Duct Ceiling Kit - CK-12S; Weight	26	
Total Shipping Weight/w Ceiling Kit	236	
SAFETY DEVICE DATA		
Compressor Overload	INTERNAL	
Fan Motor Overload	AUTOMATIC INTERNAL	
Evaporator Freeze-up	FREEZE STAT	
High Pressure Switch	MANUAL	
Low Pressure Switch	NONE	
Compressor Short Cycle	YES	
Automatic Restart	YES	
Thermostat	MICROPROCESSOR/ DIGITAL	
Condensate Pump w 20' Head Pres.	Optional	
Condensate Pump Overflow	Optional	
Condensate Tank Overflow	YES	

1-800-KWIKOOL