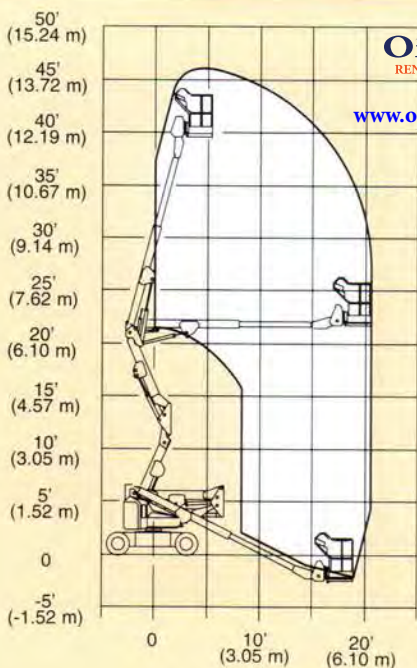


40 & n40 electric

One Source
RENTALS • SALES • SERVICE

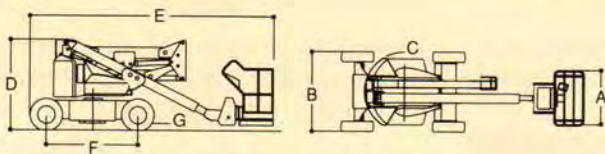
www.onesourcerental.com

REACH DIAGRAM



REACH SPECIFICATIONS

Platform Height	40 ft. (12.19 m)
Horizontal Outreach	20 ft. 6 in (6.25 m)
Up and Over Clearance	20 ft. (6.1 m)
Turntable Rotation	360° (non continuous)
Platform Capacity	500 lbs. (227 kg)
Platform Rotator	110° Hydraulic



DIMENSIONAL DATA

A. Platform Size	26 x 48 in. (0.66 x 1.22 m)
B. Overall Width Model 40	5 ft. 9 in. (1.75 m)
Overall Width Model n40	4 ft. 11 in. (1.5 m)
C. Tailswing (working condition) Model 35	zero
Tailswing (working condition) Model n35	.5 in. (0.13 m)
D. Stowed Height	6 ft. 7 in. (2.0 m)
E. Stowed Length Model 40	17 ft. 7 in (5.36 m)
Stowed Length Model n40	17 ft. 4 in. (5.28 m)
F. Wheelbase	6 ft. 7 in. (2.0 m)
G. Ground Clearance Model 40	.6 in. (0.15 m)
Ground Clearance Model n40	.4 in. (0.10 m)
Gross Vehicle Weight Model 40	10,700 lbs. (4,853 kg)
Gross Vehicle Weight Model n40	11,830 lbs. (5,366 kg)

CHASSIS

Drive Speed Model 40	3.0 mph (4.8 kph)
Drive Speed Model n40	2.5 mph (4.0 kph)
Gradeability	25%
Tyres Model 40	pneumatic 225/75R15
Tyres Model n40	solid rubber 22 x 6 x 16
Axle Oscillation	1 in. (0.03 m)
Turning Radius (outside) Model 40	11 ft. 10 in. (3.63m)
Turning Radius (inside) Model 40	4 ft. 3 in. (1.31 m)
Turning Radius (outside) Model n40	11 ft. 10 in. (3.63 m)
Turning Radius (inside) Model n40	5 ft. 3 in. (1.60 m)

POWER SYSTEM

Electrical System	48V DC
Batteries	eight 6V 370 amp-hr
Drive Motors	two series wound fan cooled electric traction motors
Brakes	spring applied electrically released multiple discs
Hydraulic Motor/Pump	permanent magnet motor/single gear pump
Hydraulic Reservoir	15.1 L
Manual Lowering	lever actuated hand pump