

JLG®

ROUGH TERRAIN

25RTS

33RTS

40RTS

SIZZOR® LIFTS

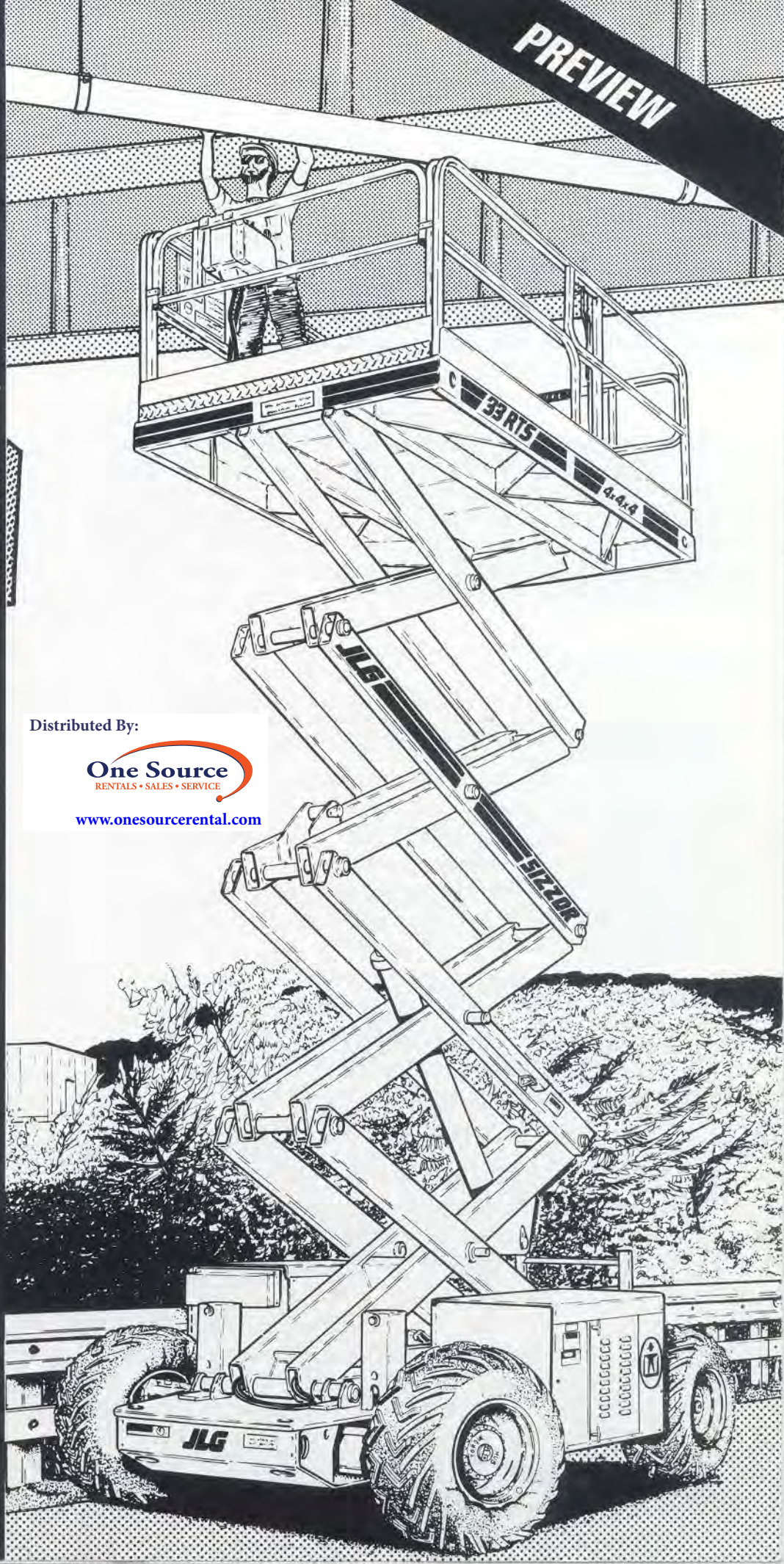
25' • 33' • 40'

With true rough terrain capability, JLG RTS Sizzor lifts offer:

- Gasoline, Propane, or diesel power
- Choice of two or four-wheel drive and steer chassis configuration
- Proportional Drive controller with ramp on/off and two-speed lift control

Introducing the new JLG 25RTS, 33RTS and 40RTS line of Rough Terrain Sizzor lifts! When you need a scissors lift to rent or purchase, take a look at the industry leading performance features, ease of operation, after sales support, and value of the new JLG RTS Sizzor line. With true construction site drive capability, the JLG RTS Sizzor lifts offer a choice of drive and steer configurations, large deck sizes, and high capacities for the toughest applications.

PREVIEW



Distributed By:

One Source
RENTALS • SALES • SERVICE

www.onesourcerental.com

JLG[®]

ROUGH TERRAIN

25RTS

33RTS

40RTS

SIZZOR[®] LIFTS

25' • 33' • 40'

With true rough terrain capability, JLG RTS Sizzor lifts offer:

- Gasoline, Propane, or diesel power
- Choice of two or four-wheel drive and steer chassis configuration
- Proportional Drive controller with ramp on/off and two-speed lift control

Introducing the new JLG 25RTS, 33RTS and 40RTS line of Rough Terrain Sizzor lifts!

When you need a scissors lift to rent or purchase, take a look at the industry leading performance features, ease of operation, after sales support, and value of the new JLG RTS Sizzor line. With true construction site drive capability, the JLG RTS Sizzor lifts offer a choice of drive and steer configurations, large deck sizes, and high capacities for the toughest applications.

THREE MODELS TO CHOOSE FROM

The 25RTS, 33RTS and 40RTS offer platform heights up to 40 ft (12.2m) and capacities to 2000 lbs (907kg).

- 25RTS has 25 ft (7.62m) of platform height and an incredible 2000 lb (907kg) capacity
- 33RTS offers 33 ft (10.06m) of platform height and 1500 lbs (680kg) capacity
- 40RTS offers 40 ft (12.2m) of platform height and 1000 lbs (454kg) capacity, driveable at full height

ADVANCED CHASSIS IS CONSTRUCTION TOUGH

Designed for the rigors of rough terrain use, our advanced RTS chassis offers front/rear skid plates. Front wheel steer is actuated by single "through rod" cylinder for equal left/right steering force. The steer cylinder is mounted internal to chassis for protection. A high travel speed of 4 mph (6.4kph), ground clearance of 11.25 in. (.29m), and gradeability of up to 45% make these units perform when the going gets rough. Choose from these chassis configurations:

- two-wheel or four-wheel drive
- two-wheel or four-wheel steer
- fixed or oscillating front axle

The chassis features rear wheel hydrostatic drive and automatic spring applied multi-disc brakes at each driven wheel. Standard tires are 12 x 16.5 air filled loader lug treads. An efficient and powerful hydraulic drive system features closed loop circuit between pump and wheel drive motors. An axial piston pump allows full use of engine power over wide speed range. Tie down/lifting lugs are integral to chassis.

CUSTOMIZE POWER SYSTEM TO THE JOB

For outdoor or indoor use, the RTS Series offers a choice of power systems to suit specific needs:

- standard 32 HP water cooled gasoline engine
- optional 32 HP water cooled gasoline/LP engine
- optional 28 HP air cooled diesel

All engine installations feature noise suppression to achieve 70dB(A) at 23 ft (7m) radius.

RIGID SCISSORS ARMS

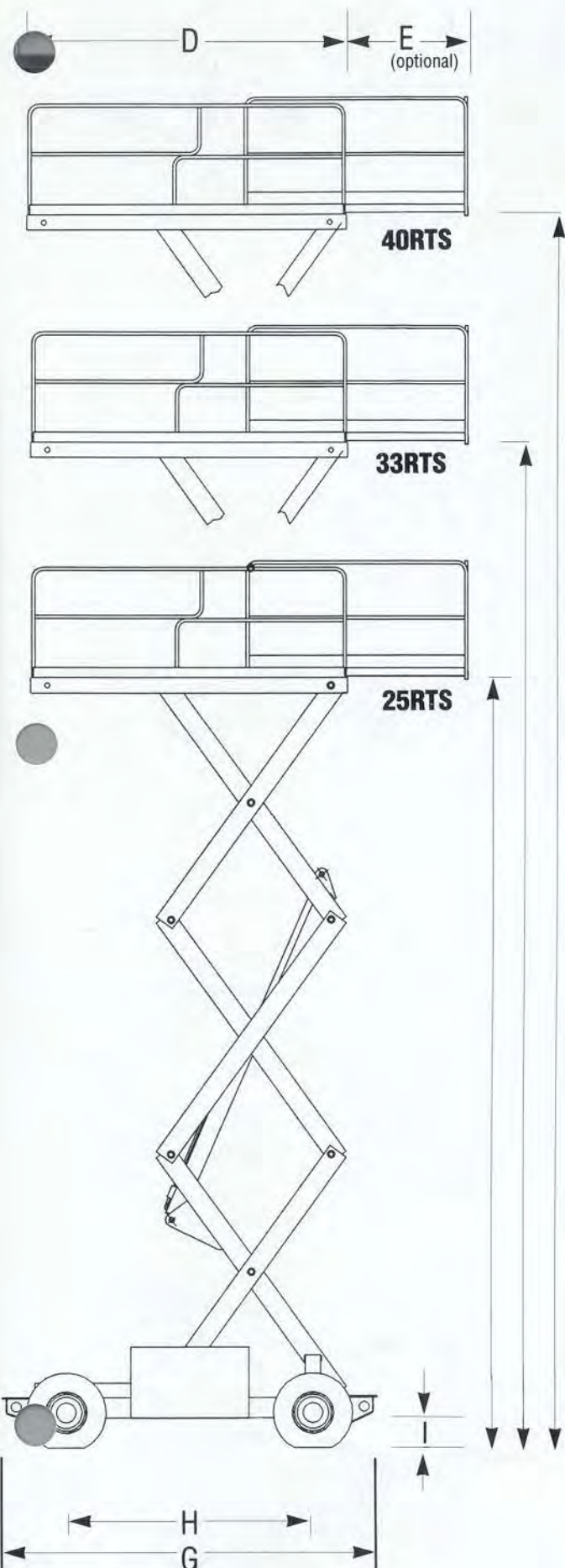
High strength 3 ft. x 8 in. (7.6m x 20.3cm) structural steel arms feature large diameter pins and a single lift cylinder for high capacity and operator confidence. Arm bearings are self-lubricating and do not require greasing. Hoses and control cables are routed internal to arms for protection.

RUGGED ALL-STEEL PLATFORM

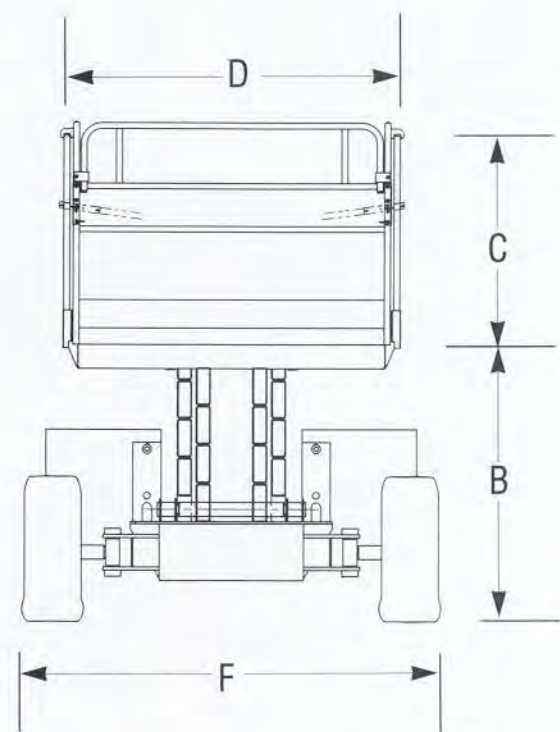
Steel deck treadplate has over 62 sq. ft. (5.77 sq.m) of work area. An optional 4 ft. (1.22m) deck extension rolls out easily on polyethylene rollers. Side guide rollers on deck extension prevent binding. Heavy gauge steel handrails withstand rigors of construction use. Handrails on main deck are conveniently removable without tools. Deck extension handrails fold at mid-rail to reduce overall height.

SPECIFICATIONS

	25RTS	33RTS	40RTS
PLATFORM			
– Capacity	2,000 lbs. 907 kg	1,500 lbs. 680 kg	1,000 lbs. 454 kg
– Capacity w/Deck Extensions	1,750 lbs. 794 kg	1,250 lbs. 567 kg	750 lbs. 340 kg
– Capacity on Deck Extension	500 lbs. 227 kg	500 lbs. 227 kg	500 lbs. 227 kg
– Lift/Lower Time	52/35 sec.	55/35 sec.	60/35 sec.
CHASSIS			
– Maximum Drive Height	25 ft. 7.62m	33 ft. 10.06m	40 ft. 12.19m
Drive Speed:			
– 2-Wheel Drive	3.5 mph 5.6 km/h	3.5 mph 5.6 km/h	3.5 mph 5.6 km/h
– 4-Wheel Drive (optional)	2.8 mph 4.5 km/h	2.8 mph 4.5 km/h	2.8 mph 4.5 km/h
Gradeability:			
– 2-Wheel Drive	25%	25%	25%
– 4-Wheel Drive	45%	45%	45%
Turning Radius (Inside):			
– 2-Wheel Steer	12 ft. 3.66m	12 ft. 3.66m	12 ft. 3.66m
– 4-Wheel (optional)	4 ft. 9 in. 1.45m	4 ft. 9 in. 1.45m	4 ft. 9 in. 1.45m
Turning Radius (Outside):			
– 2-Wheel Steer	17 ft. 7 in. 5.36m	17 ft. 7 in. 5.36m	17 ft. 7 in. 5.36m
– 4-Wheel Steer (optional)	10 ft. 3 in. 3.12m	10 ft. 3 in. 3.12m	10 ft. 3 in. 3.12m
– Axle Oscillation (optional)	8 in. 20 cm	8 in. 20 cm	8 in. 20 cm
– Tires (Lug Tread) Tire Fill	12 x 16.5 Air	12 x 16.5 Air	12 x 16.5 Air
POWER			
– Gasoline Engine	Ford VSG 411 28 hp @ 3,000 rpm	Ford VSG 411 28 hp @ 3,000 rpm	Ford VSG 411 28 hp @ 3,000 rpm
– Diesel Engine (option)	Deutz F2L-1011 27 hp @ 3,000 rpm	Deutz F2L-1011 27 hp @ 3,000 rpm	Deutz F2L-1011 27 hp @ 3,000 rpm
– Fuel Tank Capacity	15 gal. 56.8 L	15 gal. 56.8 L	15 gal. 56.8 L
HYDRAULICS			
– Drive	Axial Piston Pump Closed Loop System		
– Lift/Steer	Single Section Gear Pump		
– Reservoir Capacity	20 gal. 75.7 L	20 gal. 75.7 L	20 gal. 75.7 L
GROSS VEHICLE WEIGHT	7,600 lbs. 3,445 kg	8,200 lbs. 3,720 kg	9,200 lbs. 4,175 kg



DIMENSIONS	25RTS	33RTS	40RTS
A. Platform height-elevated	25 ft. 7.62 m	33 ft. 10.06 m	40 ft. 12.19 m
B. Platform height-lowered	5 ft. 1.52 m	5 ft. 8 in. 1.73 m	6 ft. 4 in. 1.93 m
C. Railing height	43 1/2 in. 1.10 m	43 1/2 in. 1.10 m	43 1/2 in. 1.10 m
D. Platform size	5'11" x10'6" 1.8 x 3.2m	5'11" x10'6" 1.8 x 3.2m	5'11" x10'6" 1.8 x 3.2m
E. Deck extension (opt)	4 ft. 1.23 m	4 ft. 1.23 m	4 ft. 1.23 m
F. Overall width	7 ft. 6 in. 2.29 m	7 ft. 6 in. 2.29 m	7 ft. 6 in. 2.29 m
Overall width w/ optional tires	7 ft. 7 in. 2.31 m	7 ft. 7 in. 2.31 m	7 ft. 7 in. 2.31 m
G. Overall length	12 ft. 5 in. 3.78 m	12 ft. 5 in. 3.78 m	12 ft. 5 in. 3.78 m
H. Wheelbase	98 in. 2.50 m	98 in. 2.50 m	98 in. 2.50 m
I. Ground clearance	12 3/4 in. 0.32 m	12 3/4 in. 0.32 m	12 3/4 in. 0.32 m



CONTROLS

Platform Controls. Low-profile proportional drive controller has ramp on/off for smooth starts and stops. Front wheel steer is thumb activated for one-hand drive/steer operation. Lift function features two range operation for efficiency and precision. Platform control box features quick disconnect multi-pin connector and plenty of cable for moving around platform. Enable button prevents inadvertent operation. Platform control box is constructed of impact resistant molded polyethylene. A clear lexan overlay protects pictographic symbol decals. Low oil pressure warning light and horn are standard on platform control box.

Chassis Controls. A three position key switch selects operation from platform controls, chassis controls, or off position. Chassis controls have an Emergency Stop enable button and permit platform to be raised and lowered to facilitate cleaning/maintenance. Emergency manual lowering is accomplished with pull type T-handle situated at front of chassis. Standard instrumentation includes hourmeter, oil pressure gauge and engine coolant temperature gauge (for Ford gas engine only).

OPTIONAL EQUIPMENT

Power Options

- Dual fuel (gas/LP), 32 HP water cooled Ford
- Diesel, 28 HP air cooled Deutz

Chassis Options

- 2500 watt belt driven generator (must order 110V to platform)
- Oscillating front axle
- Four-wheel drive
- Four wheel steer
- Hydraulic leveling jacks
- Rotating beacon mounted on chassis
- 12 x 16.5 foam filled loader lug tires
- 31 x 15.5 High Flotation grip tread tires
- Headlight and tail light on chassis

Platform Options

- 48 in roll out deck extension
- 110 VAC power to platform with duplex receptacle box
- 1/2 in I.D. (1.27cm) compressed air line to platform
- 5 degree tilt alarm with audible alarm and warning light at platform box
- Motion alarm
- Descent alarm
- Travel alarm
- Platform work lights

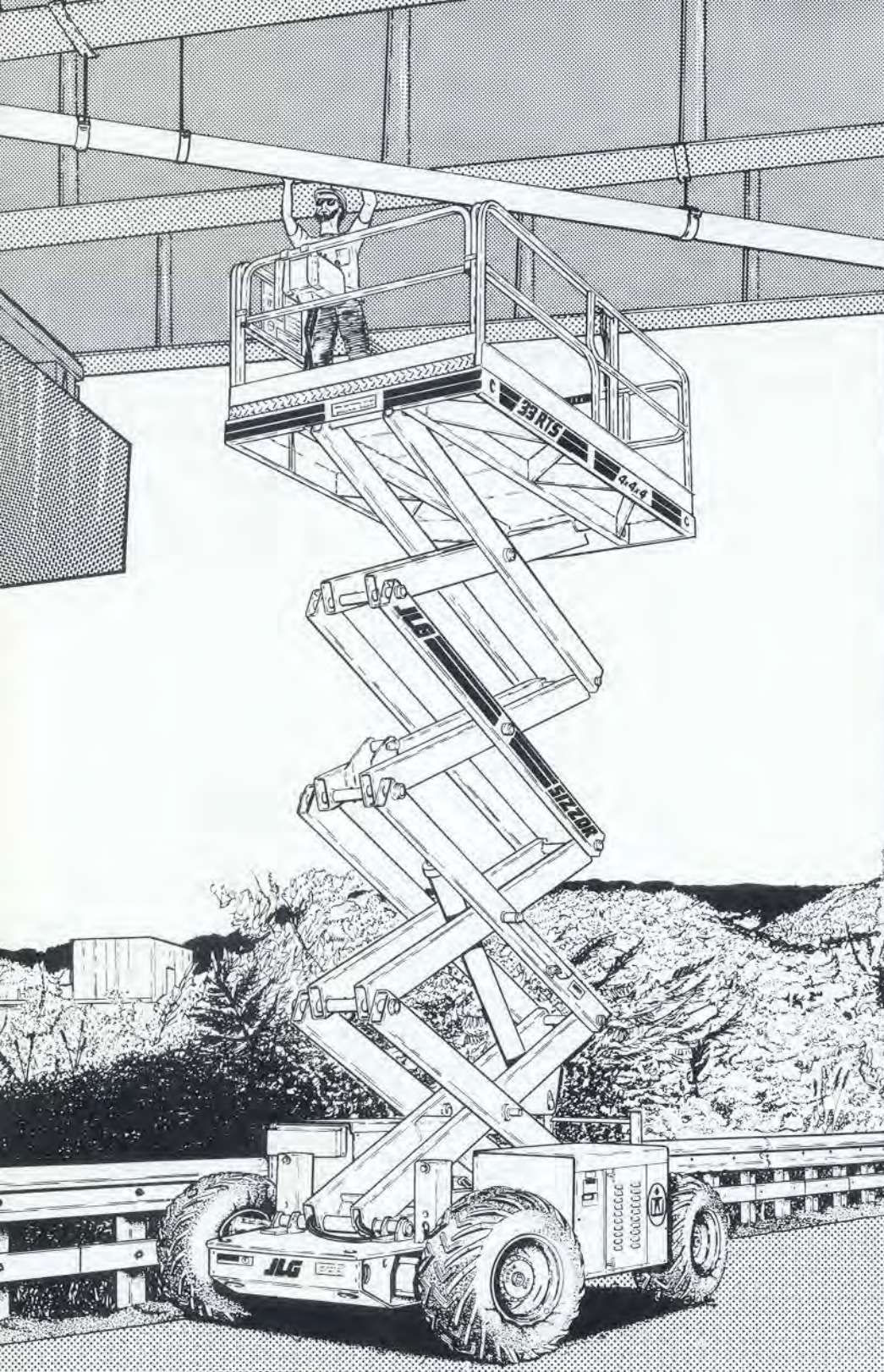
Other Options

- CSA package
- EN280 package

Distributed By:



www.onesourcerental.com



THE BEST PROTECTION IN THE BUSINESS



The JLG ONE&FIVE Warranty covers the entire machine for one full year and all specified major structural components for five full years. This warranty--the industry's best--represents JLG's commitment to superior quality standards.

SERVICE AND SUPPORT NEARBY... IN EVERY CORNER OF THE WORLD

Along with a high level of engineering expertise, you can depend on JLG's commitment to customer satisfaction. We ship 90% of in-stock parts orders received from JLG distributors within a 24-hour period--a level of service envied by most access and lift equipment manufacturers. Service support is available from factory-trained specialists throughout our extensive distributor network.

Due to continuous product improvements, we reserve the right to make specification and/or equipment changes without prior notification. This machine meets or exceeds applicable OSHA Regulations in 29 CFR 1910.67, 1926.451 (f), 29 CFR 1926.556, ANSI A92.6-1990 and CSA Standard (B354), as originally manufactured for intended applications.

Preliminary Information: JLG Industries reserves the right to make specification changes without prior notification.

Distributed By:



www.onesourcerental.com

JLG®

**PERFORMING AT A
HIGHER LEVEL**

JLG Industries, Inc. • JLG Drive
McConnellsburg, PA 17233-9502
Telephone 717-485-5161
FAX 717-485-6417