

### Features

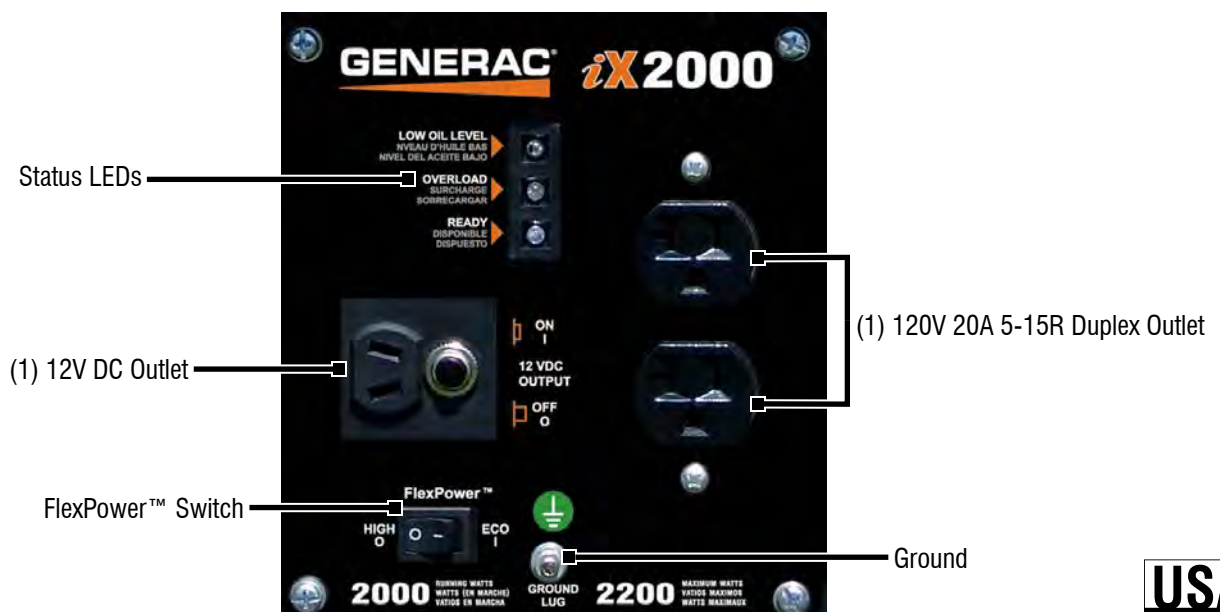
- **Inverter technology** creates quiet, clean power.
- **Lightweight, compact design** with built in handle for easy portability.
- **Low-oil level shutdown** automatically safeguards engine from damage.
- **FlexPower™ Mode** saves fuel and reduces noise.
- **Durable, fully enclosed case** for added durability and strength.
- **Circuit breakers** provide electronic overload protection.
- **LED lights** indicate status.

Models 5793-0, 5793-1, 5793-2 UPC: 696471057935  
(EPA/49-State/cETL)



**AC Rated Output Running Watts 2000**  
**AC Maximum Output Starting Watts 2200**

### 49-State Control Panel



# iX2000

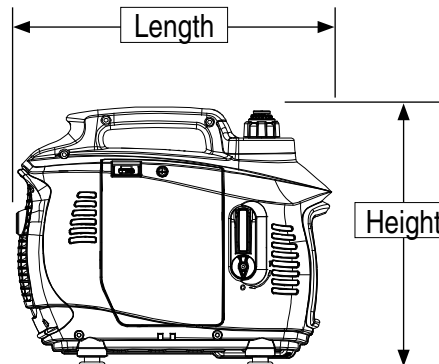
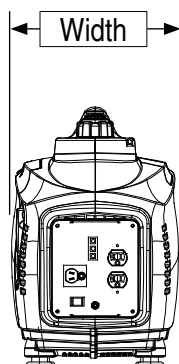
## Specifications

Product Series	iX2000
Model (Configuration)	5793-0, 5793-1, 5793-2 (EPA/49-State/cETL)
AC Rated Output Running Watts	2000
AC Maximum Output Starting Watts	2200
Rated AC Voltage	120 VAC
Rated AC Frequency	60 Hz
Rated 120 VAC Amperage	16.7
Max 120 VAC Amperage	18.3
Engine Displacement	127cc
Engine Type	OHV
Engine RPM	Variable
Recommended Oil	10W-30 / SAE 30
Lubrication Method	Splash
Choke Location	On Side of Unit
Fuel Shut Off	On Side of Unit
Idle Control	FlexPower™
Starting Method	Recoil Pull Start
Low Oil Shutdown	Low Level
Neutral Bonded to Ground	No

Start Switch Type	On/Off
Switch Location	On Side of Unit
Fuel Tank Capacity Gal (Ltrs)	0.85 (3.23)
Run Time at 25% (Hours)	5.3
Maintenance Kit	Sold Separately
Warranty- Residential	2 Year
Warranty- Commercial	6 Months

## Dimensions and Weights

Length in (mm)	22 (559)
Width in (mm)	12 (305)
Height in (mm)	18 (457)
Carton Length in (mm)	25 (635)
Carton Width in (mm)	13.75 (350)
Carton Height in (mm)	20.75 (525)
Unit Weight lbs (kg)	52 (23.5)
Shipping Weight lbs (kg)	63 (28.4)



Distributed By:



[www.onesourcerental.com](http://www.onesourcerental.com)

**GENERAC®**

Generac Power Systems, Inc. • P.O. Box 8, Waukesha, WI 53187 • [generac.com](http://generac.com)

©2012 Generac Power Systems, Inc. All rights reserved. All specifications are subject to change without notice. Bulletin 0196550SBY-A / Printed in U.S.A. 09/17/12