

# S250 S300

Skid-Steer

Skid-Steer

Loader

Loader

Distributed By:



[www.onesourcerental.com](http://www.onesourcerental.com)



Selectable  
**Joystick  
Control**

**AVAILABLE!**



**One Tough Animal™**

# S250

Skid-Steer

Loader

## Power Straight Up!

The S250 is a natural for working in construction, landscaping, nurseries, masonry, concrete, agriculture and many other applications.

Powerful, vertical-path lift arms deliver straight-up strength — an impressive 2,500-pound rated operating capacity. With that kind of muscle, you can easily handle big loads. And the S250's reach of 34 inches and lift height of 10.5 feet make loading trucks fast and effortless.

You get extra hydraulic power, too. The high-flow option package provides an added 10 gpm of hydraulic flow, for a total of 30.9 gpm. This, along with 3,300 psi system pressure, allows you to operate special high-performance Bobcat attachments, including the chipper, planer, concrete pump, stump grinder and trencher.

# S300

Skid-Steer

Loader

## The Truck-loading Loader!

Designed to deliver more power for more lift, the S300 is the ideal machine for any application requiring strength and lifting ability.

With its 3,000-pound rated operating capacity, the S300 makes easy work of heavy loads like pallets of sod, brick and concrete blocks. And with its vertical-path lift arms, 34-inch reach and 10.5-foot lift height, loading material into tall trucks is a snap.

The S300's impressive four-wheel-drive power comes from a big 81-horsepower turbo-charged, liquid-cooled Kubota diesel engine. It delivers all the strength you need when you need it.

## Vertical-path lift arms raise heavy loads to new heights!

Vertical-path lift arms make Bobcat S250 and S300 loaders the perfect tools for jobs requiring added reach and lift height.

The vertical lift path provides more reach at full lift height than a radius lift path, without any decrease in performance. That's why vertical lift path loaders make it easy to load high-sided truck boxes and hoppers.

Vertical-path design is also ideal for placing pallets — especially when they're loaded with heavy materials like brick, block or sod.



Distributed By:

**One Source**  
RENTALS • SALES • SERVICE

[www.onesourcerental.com](http://www.onesourcerental.com)

## Great view!

The redesigned structure and lift arms of the S250 and S300 give you excellent visibility to the front and rear tires. This is important when you're working close to walls or fences, maneuvering around concrete forms and grading stakes, or backing onto trailer ramps.

## Tops in operator comfort!

The advanced cab on the S250 and S300 is designed to keep you comfortable as well as productive.

- Easy entry and exit.
- Roomy interior.
- Conveniently-placed controls and gauges.
- Adjustable cushion seat.
- Seat belt.
- Seat bar.
- Air conditioning (optional).
- Cab heater (optional).



Distributed By:  
**One Source**  
RENTALS • SALES • SERVICE  
[www.onesourcerental.com](http://www.onesourcerental.com)

	Rated Operating Capacity	Lift Height	Reach	Turbo-Charged Diesel Engine	Auxiliary Flow / High Flow
<b>S250</b>	<b>2,500 lb.</b>	<b>126.4 in.</b>	<b>34 in.</b>	<b>75 hp</b>	<b>20.7 / 30.9 gpm</b>
<b>S300</b>	<b>3,000 lb.</b>	<b>126.4 in.</b>	<b>34 in.</b>	<b>81 hp</b>	<b>20.7 / 30.9 gpm</b>

# Bobcat Engineering sets the standard for operator-friendly performance!

Bobcat loaders deliver a wide range of innovative operator-friendly features and exciting value-added options.



Left Side Standard Instrument Panel



Right Side Standard Instrument Panel



Optional Deluxe Instrument Panel

State-of-the-art instrument panels provide dozens of operational features, diagnostics and monitoring. Optional deluxe instrument panel includes keyless start security system, feature lockouts, digital time and job clocks, multi-language display, even a "help" menu.



More Operator Comfort

The optional, fully-adjustable suspension seat allows comfortable all-day operation. The innovative seat bar pivots from the rear, providing secondary restraint protection and serving as a comfortable armrest for operators of all sizes.



Climate-Controlled Cab

High-visibility front door includes wiper and washer. The cab enclosure with top, rear and side windows, will seal the cab for efficient use of heater or the air conditioning option.

## The Bobcat Standard

*Combine these outstanding features with ease of operation, versatility, maneuverability, wide choice of attachments, worldwide dealer support, service backup, parts availability and high resale, and it all adds up to: **Total value that can't be matched.***



**Bobcat**®

[www.bobcat.com](http://www.bobcat.com)

**One Tough Animal**™

Distributed By:

One Source Equipment Rentals

[www.onesourcerental.com](http://www.onesourcerental.com)

# More value for your money than any other brand in the world!

## Belt Drive Advantage

The Bobcat belt drive advantage means Bobcat loader engines can be run slower, resulting in a quieter machine that lasts longer and uses less fuel. This system also maximizes pump efficiency and minimizes steering lever effort.



Ask about the 3-year belt warranty!

## Serviceability

Bobcat serviceability is unsurpassed. Simply open the swing-out tailgate for full access to the engine's checks and fills, filters and battery. And unlike other brands, the lift arms need not be raised to service the machine. Shop time is spent repairing, not gaining access.



## Choice of Attachments

As with any Bobcat loader, you can count on a variety of quick-mounting Bobcat attachments for your S250 and S300. The operator can easily replace a bucket with a backhoe, pallet fork, landscape rake, sweeper, tiller, grapple and many more attachments. Hookup is easier with the optional Power Bob-Tach™!



## Clean Cooling

The exclusive Bobcat dual path cooling system brings clean, cool air from above, through the engine and hydraulic oil coolers, mixes it with engine compartment air, then exhausts it out two side vents.



## Operator Training

Training kits, available through your Bobcat dealer's parts department, let you train current and new operators and service technicians on the latest safety operation and servicing functions on Bobcat loaders. A Spanish language version is also available. Check the Bobcat website for more information: [www.bobcat.com](http://www.bobcat.com)



## Built-In Safety



The S250 and S300 give you the latest in safety technology — the Bobcat Interlock Control System (BICS™). BICS™ requires the operator to be seated in the

loader with the seat bar in place and the engine running. After the operator presses the "press to operate loader" button, the hydraulic lift and tilt functions and traction drive system can be operated.

## Exclusive Bob-Tach™ System



For fast, secure attachment changes. Bob-Tach frame (A) moves into attachment flange (B) handle (C) pushes down easily, pressing wedge (D) through frame and attachment hole for solid connection.

**Power Bob-Tach available!**

## Worldwide Support.

With the Bobcat S250 and S300, you get more than exceptional loaders. You also get the support of a worldwide network of Bobcat dealers offering industry-leading attachments, accessories and parts availability. Their factory-trained service technicians are equipped to handle all your parts and service requirements, including engine and hydrostatic/hydraulic components. There's an excellent warranty program, too. Get all the details from your Bobcat dealer.

## Engine and Hydraulic Systems Monitor with Shutdown

A standard feature on most Bobcat loaders, excavators and utility work machines, this system monitors vital machine functions, such as engine coolant temperature, engine oil pressure and hydraulic oil temperature. If a monitored function is out of normal operating range, the system provides an audible alert, a warning message and, depending on the severity of the function, may shut down the machine to avoid catastrophic failure.

# Bobcat® S250 and S300 Skid-Steer Loader

## Specifications

Performance	S250	S300
Rated Operating Capacity <sup>1</sup>	2500 lb. (1134 kg)	3000 lb. (1361 kg)
Tipping Load	5000 lb. (2268 kg)	6000 lb. (2722 kg)
Hydraulic Pump Capacity	20.7 GPM (78.4 L/min.)	20.7 GPM (78.4 L/min.)
High Flow Option	30.9 GPM (116.2 L/min.)	30.9 GPM (116.9 L/min.)
Travel Speed	6.9 mph (11.1 km/hr.)	6.9 mph (11.1 km/hr.)
Two-Speed Option	6.9 mph (11.1 km/hr.)	6.9 mph (11.1 km/hr.)
Low Range	12.0 mph (19.3 km/hr.)	12.0 mph (19.3 km/hr.)
High Range	7.23 mph (11.6 km/hr.)	8.14 mph (13.1 km/hr.)
Operating Weight	7723 lb. (3503 kg)	8140 lb. (3692 kg)
Dimensions		
Length (with bucket)	142.9 in. (3630 mm)	142.9 in. (3630 mm)
Width (with bucket)	74.0 in. (1880 mm)	74.0 in. (1880 mm)
Height	80.9 in. (2055 mm)	80.9 in. (2055 mm)
Height to Bucket Pin	126.4 in. (3211 mm)	126.4 in. (3211 mm)
Engine	Tier II Compliant	
Make/Model	Kubota V3300M-DI-T	Kubota V3300M-DI-T
Fuel/Cooling	Diesel/Liquid	Diesel/Liquid
Cylinders	4	4
HP/Displacement	75.0 hp/202.53 in. <sup>3</sup> (56.9 Kw/3,318 L)	81.0 hp/202.53 in. <sup>3</sup> (60.4 Kw/3,318 L)
Fuel Tank Capacity	25 gal. (94.6 L)	25 gal. (94.6 L)
Operation	Forward, reverse, travel speed and steering controlled by two hand levers. Raise/lower lift arms and dump/rollback bucket controlled by two foot pedals or optional hand controls. Hydrostatic, four-wheel drive.	
Standard Features	Adjustable Cushion Seat Automatically-Activated Air Intake Heater Bobcat Interlock Control System (BICS™) Bob-Tach™ Deluxe Cab Dual-Path Cooling System Engine/Hydraulic Systems Shutdown Front Auxiliary Hydraulics	Front & Rear Lights Gauges/Warning Lights Lift Arm Support Operator Cab Parking Brake Seat Bar Seat Belt 12-16.5 Bobcat Heavy-Duty Tires Top & Rear Windows Turbo-Charger (approved spark arrester)

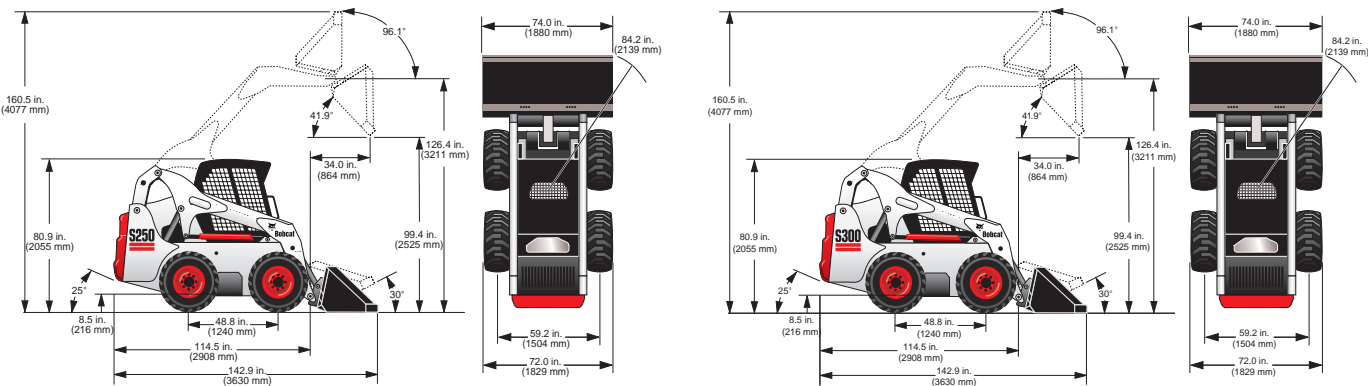
### Options/Accessories

Advanced Control System (ACS)	High-Flow Auxiliary Hydraulics Package
Air Conditioning	Hydraulic Bucket Positioning <sup>2</sup>
Alarm Package (backup alarm and horn)	Power Bob-Tach™
Attachment Control Kit	Rear Auxiliary Hydraulics
Bobcat Heavy-Duty Offset Tires	Ride Control
Bobcat Severe-Duty Tires	Selectable Joystick Control
Bobcat Severe-Duty Poly-Fill Tires	Service Safety Training Kit
Bobcat Super Float Tires	Side Windows
Cab Enclosure	Skid-Steer Loader Operator Training Kit
Cab Heater	Sound Option
Catalytic Purifier	Special Applications Kit <sup>3</sup>
Counterweight (S250 only)	Suspension Seat (vinyl or cloth cover)
Deluxe Instrument Panel	Two-Speed
Flasher/Strobe/Rotating Beacon Lights	

Distributed By:



www.onesourcerental.com



## MORE LIFTING POWER!

With vertical-path lift arms, these two loaders are made for heavy lifting! When you need more reach, lift height, speed and capacity, Bobcat S250 and S300 loaders are the machines that deliver plenty of power straight up.

In addition to vertical-path design, the S250 and S300 have several other features in common: a high-flow option package with an extra 10 gpm of hydraulic flow, for a total of 30.7 gpm; an extended 48.8-inch wheelbase that assures a smooth, operator-friendly ride; and a two-speed option, from 6.9 mph up to 12.0 mph.

The S250 and S300 are comfortable, too, with a roomy, easy-to-enter cab, precise steering and excellent visibility to the front and rear corners of the machine.

All this in compact loaders that are only 74 inches wide!

S250	S300
<b>2500 LB.</b> Rated Operating Capacity	<b>3000 LB.</b> Rated Operating Capacity
<b>126.4 IN.</b> Lift Height	<b>126.4 IN.</b> Lift Height
<b>75 HP</b> Turbo-Charged, Liquid-Cooled Diesel Engine	<b>81 HP</b> Turbo-Charged, Liquid-Cooled Diesel Engine

<sup>1</sup>Operating capacity rated with standard digging bucket according to SAE standard J818 - OPERATING CAPACITY TO EQUAL NO MORE THAN ONE-HALF THE TIPPING LOAD.

<sup>2</sup>Bucket positioning helps operator keep the same tilt of the load during lifting.

<sup>3</sup>Includes Lexan front door, top and rear windows.

<sup>4</sup>Special application kit (see #3) must be used.

NOTE — Where applicable, dimensions are in accordance with Society of Automotive Engineers (SAE) and ISO standards. Specifications and design are subject to change without notice. Pictures of Bobcat loaders may show other than standard equipment. All dimensions are shown in inches. Respective metric dimensions are enclosed by parentheses. Bobcat Company complies with the requirements of ISO 9001 as registered with BSI.

### Bobcat Attachments for these models:

- Angle Broom\*
- Auger
- Backhoe
- Box Blade
- Brushcat™ Rotary Cutter
- Brush Saw
- Buckets
- Bucket Adapter
- Chipper\*
- Combination Bucket
- Concrete Mixer\*
- Concrete Pump\*
- Digger
- Dozer Blade\*
- Dumping Hopper
- Drop Hammer
- Farm Grapple (for use with utility fork or bucket)
- Grader\*
- Hydraulic Breaker†
- Industrial Grapple
- Landplane
- Landscape Rake
- Mower
- Pallet Fork-Standard (S300 Heavy-Duty only)
- Pallet Fork-Hydraulic
- Planer\*
- Rear Stabilizer
- Scarifier
- Scraper
- Seeder
- Snow Blade
- Snow V-Blade
- Snowblower\*
- Sod Layer\*
- Soil Conditioner\*
- Spreader
- Steel Tracks
- Stump Grinder\*
- Sweeper
- Three-Point Hitch
- Tiller
- Tilt Tatch
- Tree Spade
- Trench Compactor
- Trencher
- Utility Fork
- Utility Frame
- Vibratory Roller
- Water Kit
- Wheel Saw
- Whisker Push Broom

\* Attachment Control Kit Required.



B-1759

Bobcat Company  
P.O. Box 6000 • West Fargo, ND 58078  
www.bobcat.com

An **IR** Ingersoll-Rand business

N-50M-105-#653149-F

Printed in U.S.A.