

S150 S160

Skid-Steer

Loader

Turbo Skid-Steer

Loader

Distributed By:



www.onesourcerental.com



One Tough Animal™

Specifications

Bobcat Attachments for these models:

- Angle Broom*
- Auger
- Backhoe
- Box Blade
- Brushcat® Rotary Cutter
- Brush Saw
- Buckets
- Bucket Adapter
- Chipper*
- Combination Bucket
- Concrete Mixer*
- Digger
- Dozer Blade*
- Dumping Hopper
- Farm Grapple (for use with utility fork or bucket)
- Grader*
- Hydraulic Breaker*
- Industrial Grapple
- Landplane
- Landscape Rake
- Mower
- Pallet Fork (standard)
- Pallet Fork (hydraulic)
- Planer (standard)
- Rear Stabilizer
- Scarifier
- Scraper
- Seeder
- Snow Blade
- Snowblower*
- Snow V-Blade
- Sod Layer*
- Soil Conditioner*
- Spreader
- Steel Tracks
- Sweeper
- Three-Point Hitch
- Tiller
- Tilt-Tatch
- Tree Spade*
- Trench Compactor
- Trencher
- Utility Fork
- Vibratory Roller
- Water Kit
- Whisker Push Broom

Performance

	S150	S160 Turbo
Rated Operating Capacity ¹	1500 lb. (680 kg)	1600 lb. (726 kg)
ROC with Optional Counterweight	1600 lb. (726 kg)	1700 lb. (771 kg)
Tipping Load	3000 lb. (1361 kg)	3200 lb. (1452 kg)
Hydraulic Pump Capacity	16.9 GPM (64 L/min.)	16.9 GPM (64 L/min.)
High Flow Option		26.4 GPM (99.9 L/min.)
Travel Speed	7.3 MPH (11.7 km/hr.)	7.3 MPH (11.7 km/hr.)
Operating Weight	5662 lb. (2568 kg)	5752 lb. (2609 kg)

Dimensions

	S150	S160 Turbo
Length (with bucket)	130.3 in. (3309 mm)	130.3 in. (3309 mm)
Width (with bucket)	68.0 in. (1727 mm)	68.0 in. (1727 mm)
Height	76.3 in. (1938 mm)	76.3 in. (1938 mm)
Height to Bucket Pin	114.5 in. (2908 mm)	114.5 in. (2908 mm)

Engine

	S150	S160 Turbo
Make/Model	Kubota/V2203M-DI	Kubota/V2003M-DI-T
Fuel/Cooling	Diesel/Liquid	Diesel/Liquid
Cylinders	4	4
SAE NET HP/Displacement	46/134 in. ³ (2.2 L)	56/122 in. ³ (2.0 L)
Fuel Tank Capacity	24 gal. (90.8 L)	24 gal. (90.8 L)

Operation

Steering and Drive	Forward, reverse, travel speed and steering controlled by two hand levers.
Hydraulics	Raise/lower lift arms and dump/rollback bucket controlled by two foot pedals or optional hand controls.
Transmission	Hydrostatic, four-wheel drive.

Standard Features

Adjustable Cushion Seat	Gauges/Warning Lights
Automatically Activated Glow Plugs	Lift Arm Support
Bobcat Interlock Control System (BICS™)	Operator Cab
Bob-Tach™	Parking Brake
Deluxe Cab	Seat Bar (available for all Bobcat loaders)
Dual Path Cooling System	Seat Belt
Engine/Hydraulic Shutdown	Spark Arrestor Muffler (S150 only)
Front Auxiliary Hydraulics	10-16.5 Bobcat Standard-Duty Tires
Front & Rear Lights	Turbo-Charger (S160 only) (Approved Spark Arrestor)

Options/Accessories

Advanced Control System (ACS)	High-Flow Auxiliary Hydraulics Package (S160 only)
Air Conditioning (S160 only)	Hydraulic Bucket Positioning ²
Alarm Package (backup alarm and horn)	Keyless Start System
Attachment Control Kit	Power Bob-Tach™
Bobcat Heavy-Duty Tires	Radio Kit
Bobcat Poly-Fill Tires	Rear Auxiliary Hydraulics
Bobcat Severe-Duty Tires	Ride Control
Bobcat Super Float Tires	Service Safety Training Kit
Cab Enclosure	Side Windows
Cab Heater	Skid-Steer Loader Operator Training Kit
Catalytic Purifier	Sound Cab
Counterweight	Special Applications Kit ³
Deluxe Instrument Panel	Suspension Seat
Flasher/Strobe/Rotating Beacon Lights	(vinyl or cloth cover)
Gold Package Option	

Powerful. Smooth. Fast.

Here's everything you want in a compact loader!

The new Bobcat S150 and the turbo-charged S160 deliver lots of muscle, lift capacity, lift height and travel speed.

Powerful diesel engines produce plenty of traction and breakout force for excavating and handling large loads. There's also a 16.9-gpm hydraulic pump for efficient attachment performance.

As with any Bobcat loader, you get a wide choice of quick-mounting Bobcat attachments. The operator can easily replace a bucket with a backhoe, pallet fork, landscape rake, sweeper, tiller and grapple, along with many more.

And look at all these operator-friendly features:

- Easy entry and exit
- Long wheelbase for smooth, comfortable ride
- Excellent visibility to sides, front and rear corners of loader
- Roomy comfort for operators of all sizes
- Rear-pivot seat bar
- State-of-the-art instrumentation
- Fully-enclosed cab and heating system available
- Air conditioning system available (S160 only)
- Fully-adjustable suspension seat available

Got a job to do? The S150/S160 are ready to take on any challenge!

Construction • Landscaping • Nurseries
Municipalities • Agriculture/Agribusiness • Recycling

S150

1,500 LB.
Rated Operating Capacity

46 HP
Liquid-Cooled Diesel Engine

114.5 IN.
Lift Height

S160 Turbo

1,600 LB.
Rated Operating Capacity

56 HP
Turbo-Charged, Liquid-Cooled Diesel Engine

114.5 IN.
Lift Height

Optional Deluxe Instrument Package includes:

- Multi-language capability
- System diagnostic capability
- All gauges read in metric or English units
- Feature lockouts
- Keyless start security
- Digital and job clocks
- Help screens
- Attachment information

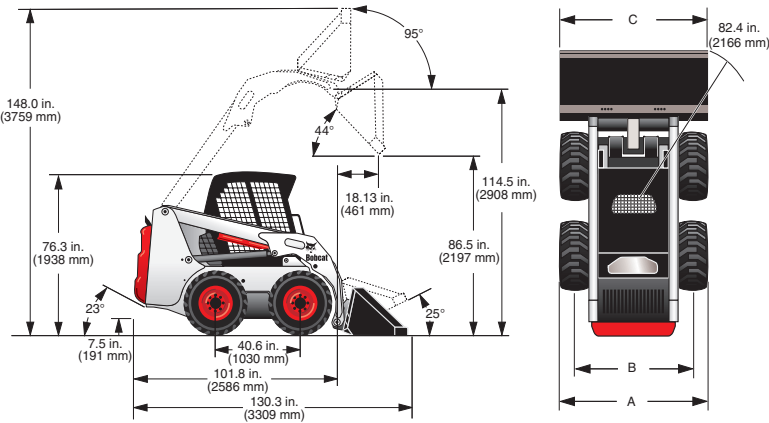
NOTE - Where applicable, dimensions are in accordance with Society of Automotive Engineers (SAE) and ISO standards. Specifications and design are subject to change without notice. Pictures of Bobcat loaders may show other than standard equipment. All dimensions are given for loader equipped with standard tires. All dimensions are shown in inches. Respective metric dimensions are enclosed by parentheses. Bobcat Company complies with the requirements of ISO 9001 as registered with BSI.

¹ Operating capacity rated with standard digging bucket according to SAE standard J818 - OPERATING CAPACITY TO EQUAL NO MORE THAN ONE HALF THE TIP LOAD.

² Bucket positioning helps operator keep the same tilt of the load during lifting.

³ Includes Lexan front door, top and rear windows.

⁴ Special application kit (see #3) must be used.



"A" 10 - 16.5 TIRES - 66.0" (1676 mm) or 60.0" (1524 mm)
31.5 x 13 - 16.5 TIRES - 66.0" (1676 mm)

"B" 10 - 16.5 TIRES - 54.5" (1385 mm) or 48.5" (1232 mm)
31.5 x 13 - 16.5 TIRES - 52.3" (1328 mm)

"C" 62 in. BUCKET WIDTH - 62.0" (1575 mm)
68 in. BUCKET WIDTH - 68.0" (1727 mm)
74 in. BUCKET WIDTH - 74.0 (1880 mm)

