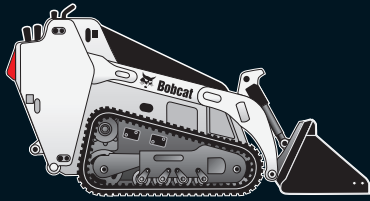




Distributed By:

One Source
RENTALS • SALES • SERVICE

www.onesourcerental.com



MT52 MT55

Mini Track

Mini Track

Loader

Loader



One Tough Animal™

One-Man Crew!

Bobcat® Mini Track Loaders

Landscapers...Contractors...Rental Operators...
here's the perfect complement to your loader fleet!
 They're tough, versatile, fast, agile and strong! They deliver all the rugged dependability you expect from the Bobcat brand, along with the jobsite convenience of a walk-behind mini track loader!

What can they do?

You name it. The MT52 and MT55 dig, auger, till, trench, move material — and all kinds of other jobs you'll think of when you're out on the worksite.

Either 36 or 42 inches wide

Each mini track loader packs a lot of power in a small package. They let you work in tight spots, both indoors and outdoors, and easily slip through most doorways and fence gates.



Distributed By:

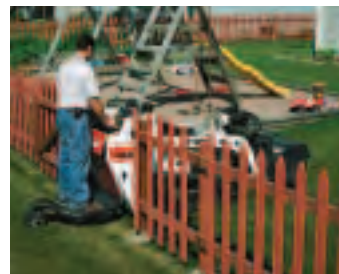
One Source
 RENTALS • SALES • SERVICE

www.onesourcerental.com



Simple to operate

The instrument panel is easy to understand, easy to use.



Ride on it or walk behind it!

- Hook up or unhook ride-on platform within seconds
- Pivoting platform provides smooth ride
- Large standing surface area promotes operator comfort
- Platform moves like a wheelbarrow when not installed
- Platform is easy to transport



MT52	520 lb.	71.3 in.	NET 18.8 / GROSS 20	36 in.	12 gpm
	Rated Operating Capacity	Lift Height	Liquid-Cooled Diesel Engine	Width (with bucket)	Auxiliary Hydraulic Flow

MT55	550 lb.	71.3 in.	NET 23.5 / GROSS 24.8	44 in.	12 gpm
	Rated Operating Capacity	Lift Height	Liquid-Cooled Diesel Engine	Width (with bucket)	Auxiliary Hydraulic Flow

Get versatile! Hook up to a wide choice of hard-working Bobcat attachments, including:



Angle Broom

Sweeps snow, dirt and debris from sidewalks, driveways and warehouse floors.



Auger

Augers holes with speed and plumb-line accuracy. Bits up to 36 in. available.



Backhoe

Excavates in hard-to-reach areas. Ideal for landscaping, nurseries, water and power lines.



Buckets

Designed to handle a wide variety of jobs and materials.



Combination Bucket

Gives you five functions in one attachment: dozing, digging, dumping, grappling, grading. Six sizes: 44 to 84 in.



Hydraulic Breaker

Breaks up asphalt, concrete and other hard surfaces; smashes through walls. Exceptional power.



Landplane

Grades, levels, transports material, breaks up hard ground, peels sod.



Pallet Fork

Handles palletized material and long objects, such as lumber and fence posts.



Soil Conditioner

Smooths ruts, moves material, levels mounds and handles many soil preparation chores.



Tiller

Digs and loosens soil, mixes compost and other materials into existing soil.



Trencher

Handles a wide range of jobs, including trenching close to buildings.



Utility Blade

Use it both as a snow blade or dozer blade. Moldboard angles up to 30 degrees.

STANDARD EQUIPMENT

- Bob-Tach™ Mounting System Interface
- Reverse Stop Panel
- Lift Arm Lockout with Manual Bypass
- Tilt Lockout
- Hydrostatic Drive
- Auxiliary Hydraulics
- Liquid-Cooled Diesel Engine
- Parking Brake
- Gauges / Warning Lights
- Spark Arrestor Muffler
- Built-In Tie-Down Locations
- Built-In Lift Hook Locations
- Lift Arm Support
- Neutral Start Interlocks
- Tracks (7 in. wide) MT52
- Tracks (10 in. wide) MT55

Parts and service backup

With every Bobcat product, you get the support of a worldwide network of dealers offering industry-leading attachments, accessories and parts availability. Their factory-trained technicians are equipped to handle all your parts and service requirements, including engine and hydrostatic/hydraulic components.

Unbeatable Bobcat warranty

The best equipment carries the best warranty! The MT52 and MT55 mini track loaders come with a full one-year warranty with unlimited hours.

Operator training

An operator safety video is available.

Distributed By:

One Source
RENTALS • SALES • SERVICE

www.onesourcerental.com

Specifications

Performance

Rated Operating Capacity
Tipping Load
Hydraulic Pump Capacity
Travel Speed

Operating Weight (with bucket)
Ground Pressure

MT52

520 lb. (236 kg)
1584 lb. (718 kg)
12 gpm (45.4 L/min.)
3.5 mph (5.6 km) forward
1.5 mph (2.3 km) reverse
2506 lb. (1136 kg)
5.2 psi

MT55

550 lb. (249 kg)
1570 lb. (712 kg)
12 gpm (45.4 L/min.)
3.5 mph (5.6 km) forward
1.5 mph (2.3 km) reverse
2696 lb. (1223 kg)
4.1 psi

Dimensions

Length (without bucket)
Width (with bucket)
Height
Height to Bucket Pin

72.4 in. (1839 mm)
36.0 in. (914 mm)
49.1 in. (1246 mm)
71.3 in. (1810 mm)

72.4 in. (1839 mm)
44.0 in. (1118 mm)
49.1 in. (1246 mm)
71.3 in. (1810 mm)

Engine

Make/Model
Fuel/Cooling
Cylinders
HP/Displacement
Fuel Tank Capacity

Kubota D722E2B
Diesel/Liquid
3
18.8 hp net / 44.0 cu. in.
7.0 gal. (26.5 L)

Kubota D902 E2B
Diesel/Liquid
3
23.5 hp net / 54.8 cu. in.
7.0 gal. (26.5 L)

Operation

Steering and Drive
Lift and Tilt
Transmission
Attachment

Direction and speed controlled by one multi-function handle.
Raise/lower and dump/rollback controlled by one lever.
Hydrostatic track drive system.
Single lever with dual direction detent.

Standard Features

Auxiliary Hydraulics
Bob-Tach™
Mounting System
Gauges/Warning Lights
Hydrostatic Drive Train
Lift Arm Lockout
w/Manual Bypass
Lift Arm Support
Lift Hook Locations

Liquid-Cooled Diesel Engine
Neutral Start Interlocks
Parking Brake
Reverse Stop Panel
Spark Arrestor Muffler
Tie-down Locations
Tilt Lockout
Track (7 in. wide) MT52
Track (10 in. wide) MT55

Options/Accessories

Attachment Control Kit
Catalytic Exhaust Purifier
Engine Block Heater

Ride-on Platform
Shutdown kit
Light Kit

Distributed By:



www.onesourcerental.com

NOTE - Where applicable, dimensions are in accordance with Society of Automotive Engineers (SAE) and ISO standards. Specifications and design are subject to change without notice. Pictures of Bobcat loaders may show other than standard equipment. All dimensions are given for loader equipped with standard tires. All dimensions are shown in inches. Respective metric dimensions are enclosed by parentheses. Bobcat Company complies with the requirements of ISO 9001 as registered with BSI.

Bobcat Mini Track Loaders — the One-Man Crew!

Just one worker can take on a variety of jobs with a Bobcat MT52 or MT55 mini track loader. Rated operating capacities of 520 and 550 pounds make these track stars the perfect complement to your loader fleet!

Ride on 'em or walk behind 'em — they're the only mini track loaders on the market that give you a choice!

The MT52 and MT55 dig, auger, trench, move material... along with dozens of other tasks you'll think up when you're out on the worksite. It's easy to find things for the mini track loaders to do because there are so many job-matched Bobcat attachments to choose from.

And look at the size. Only 35.6 (MT52) or 41.4 (MT55) inches wide and 72.4 inches long without attachment, these loaders go where most other machines can't — through doorways and fence gates, so you can work in close quarters indoors or outdoors.

Another big plus: the rugged rubber tracks keep you going in soft, wet or muddy conditions, with minimal ground disturbance.

So grab yourself a handful of concentrated power — and get to work with a Bobcat MT52 or MT55 mini track loader!

MT52

520 LB.
Rated
Operating
Capacity

12 GPM
Hydraulic Flow

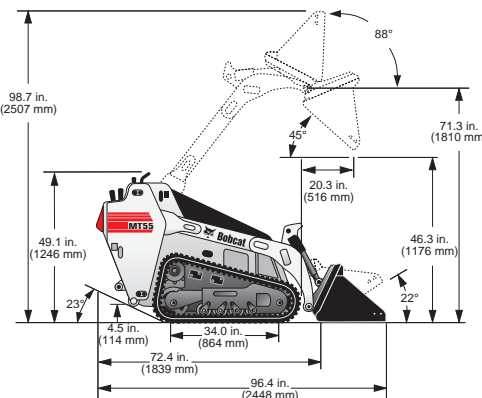
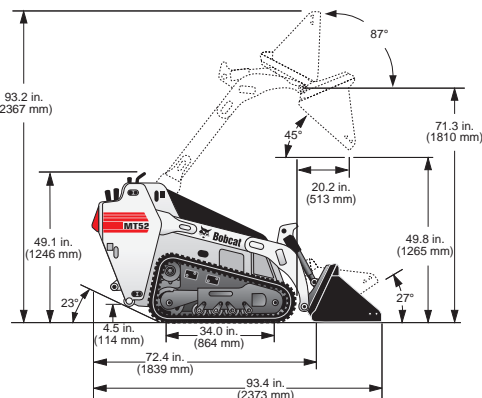
36 IN.
Width
(with bucket)

MT55

550 LB.
Rated
Operating
Capacity

12 GPM
Hydraulic Flow

44 IN.
Width
(with bucket)



B-1776

Bobcat Company
P.O. Box 6000 • West Fargo, ND 58078
www.bobcat.com

Printed in U.S.A.

An **IR** Ingersoll-Rand business

Kn-30M-405-#B6339505-F

Bobcat Attachments for these models:

- Angle Broom
- Attachment Interface
- Auger
- Backhoe
- Boring Unit
- Bucket
- Combination Bucket
- Digger
- Hydraulic Breaker
- Landplane
- Pallet Fork
- Snowblower
- Soil Conditioner
- Stump Grinder
- Tiller
- Trencher
- Utility Blade
- Utility Fork
- Utility Grapple
- Vibratory Plow